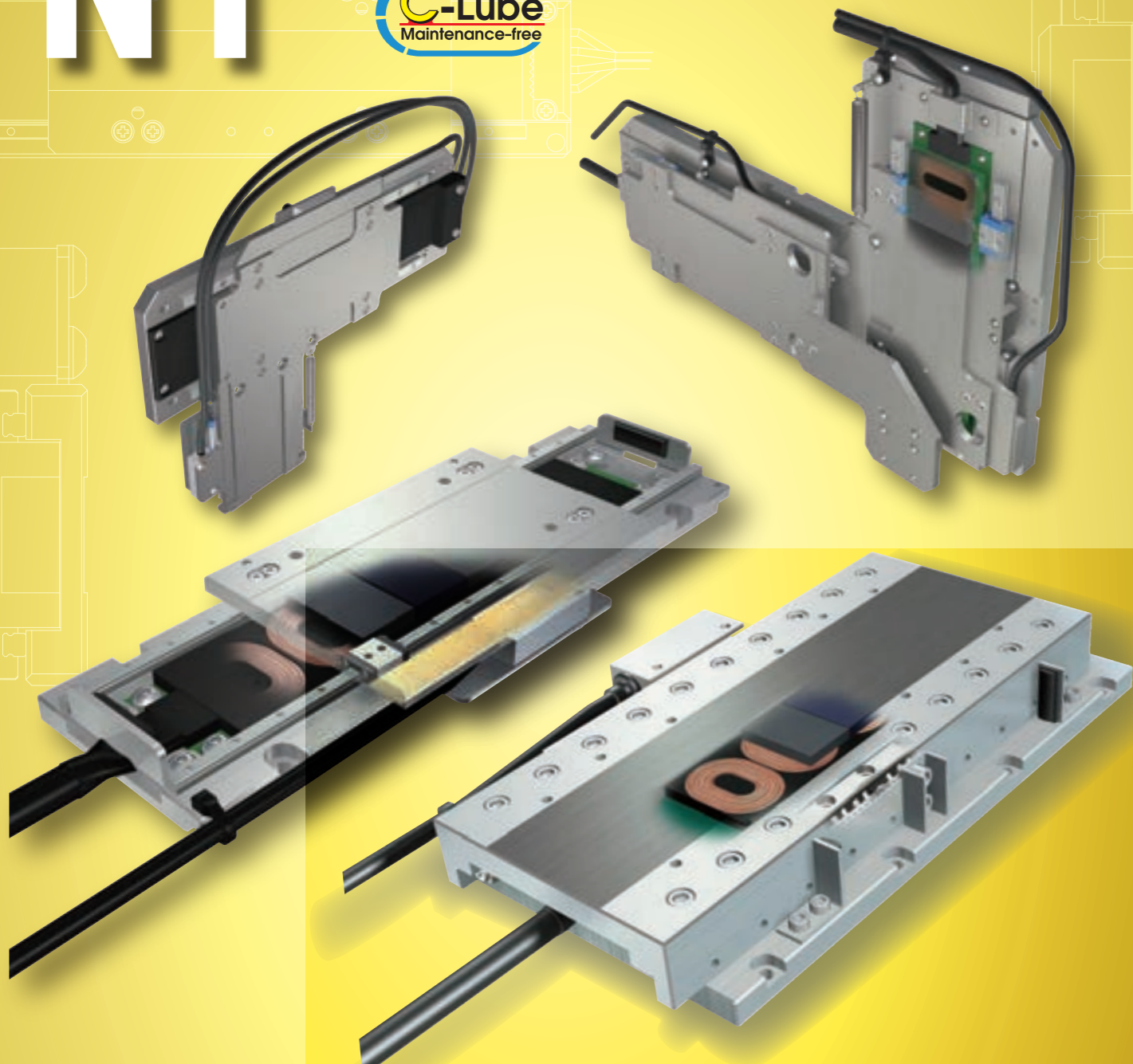
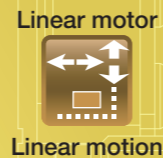


**NT**  
**(NT...V, NT...H, NT...XZ, NT...XZH)**

NT

NT



Major product specifications

Accuracy

Driving method	Linear motor
Linear motion rolling guide	Linear Way (ball type) Crossed Roller Way (roller type)
Built-in lubrication part	Lubrication part "C-Lube" is built-in (except for NT38V, NT55V and NT...H)
Material of table and bed	High carbon steel
Sensor	Provided as standard

Positioning repeatability	±0.0001~0.0005
Positioning accuracy	-
Lost motion	-
Parallelism in table motion A	-
Parallelism in table motion B	-
Attitude accuracy	-
Straightness	-
Backlash	-

unit: mm

Ultracompact, state-of-the-art linear motor table NT series!

Nano Linear NT is a moving magnet type linear motor table with extremely low profile. For guiding parts of the moving table, Linear Way or Crossed Roller Way well-established in the area of miniature linear motion rolling guides is used in combination with linear motor and high-resolution linear encoder to realize highly accurate positioning. Thanks to adoption of high-performance neodymium magnet, large thrust force can be acquired and therefore high-speed and highly responsive positioning is possible, despite its very small body. In addition, high cleanliness is realized as the mechanical contact part is only the linear motion rolling guide thanks to adoption of a landmark driving method without moving cables.

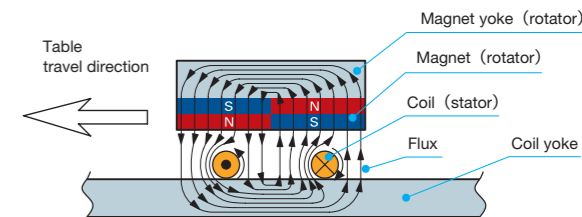
Nano Linear NT specifications list

Model and size	Standard type NT...V															
	NT38V10		NT38V18		NT55V25			NT55V65			NT80V25		NT80V65		NT80V120	
Sectional shape																
Maximum thrust N	3		3		25			25			36		36		36	
Rated thrust N	0.6		0.8		7			7			8		8		8	
Maximum load mass kg	0.5		0.5		5			5			5		5		5	
Effective stroke length mm	10		18		25			65			25		65		120	
Resolution μm	0.1	0.5	0.1	0.5	0.1	0.5	0.1	0.5	0.1	0.5	0.1	0.5	0.1	0.5	0.1	0.5
Maximum speed mm/s	270	500	270	500	270	1000	1300	270	1000	1300	270	1000	1300	270	1000	1300
Positioning repeatability μm	±0.5		±0.5		±0.5			±0.5			±0.5		±0.5		±0.5	

Model and size	High accuracy type NT...H		Pick and place unit NT...XZ				High thrust pick and place unit NT...XZH						
	NT88H25		NT88H65		NT80XZ4510				NT90XZH2510				
Sectional shape													
Maximum thrust N	25		25		50		25		70		70		
Rated thrust N	5		5		10		2.5		Natural air cooling: 16 Air cooling: 20		Natural air cooling: 16 Air cooling: 20		
Maximum load mass kg	5		5		-		0.1		-		0.2		
Effective stroke length mm	25		65		45				10				
Resolution μm	0.01	0.05	0.01	0.05	0.1	0.5	0.1	0.5	0.1	0.5	0.1	0.5	
Maximum speed mm/s	90	400	90	400	270	1000	1300	270	800	800	270	1000	1300
Positioning repeatability μm	±0.1		±0.1		±0.5				±0.5				

Operating principle of Nano Linear NT

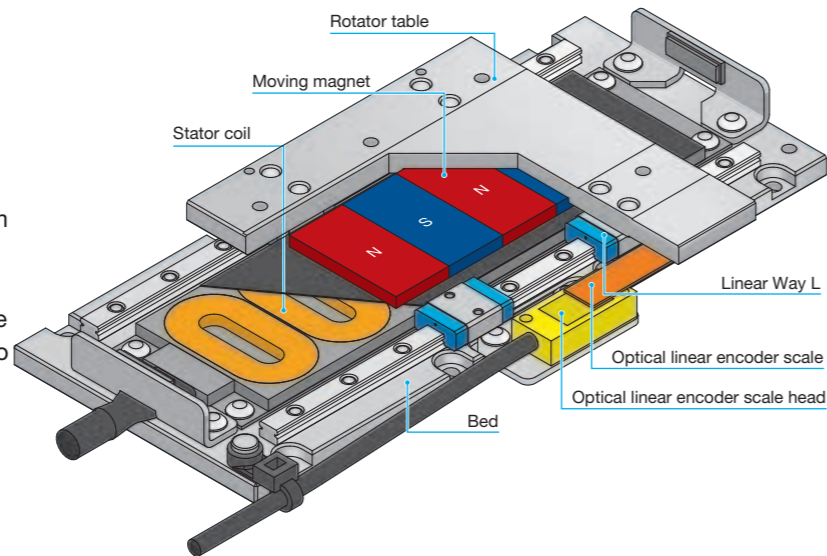
Nano Linear NT is structured with magnet and optical linear encoder scale deployed as a rotator, and an air-core coil and optical linear encoder scale head deployed as a stator within its compact body. As indicated in the right figure, the coil is subject to horizontal force due to flux that always works in vertical direction by the magnet and coil yoke, and rotational flux that is generated around the coil by the coil current (Fleming's left-hand rule). By switching the coil current to certain direction corresponding to the flux direction, continuous thrust force in a certain direction can be obtained and linear motions of the rotator is maintained. Traveling and accurate positioning are performed by acceleration control by current amount and feedback by linear encoder.



1N=0.102kgf=0.2248lbs.  
1mm=0.03937inch

# NT...V [ Standard type ]

NT...V is a linear motor table with excellent cost effectiveness realized by use of Linear Way L for miniature linear motion rolling guide in the cable guiding parts, reduction of number of parts and review of parts shapes. NT38V10, the smallest in the series, is only 11mm in sectional height, 38mm in table width and 62mm in overall length. It contributes further miniaturization of positioning mechanism. Motion network EtherCAT compatible driver and SSCNET III/H compatible driver are also available and smoother and higher speed and accuracy motions are realized by streamlined wiring.



## Points

### 1 ● Ultracompact

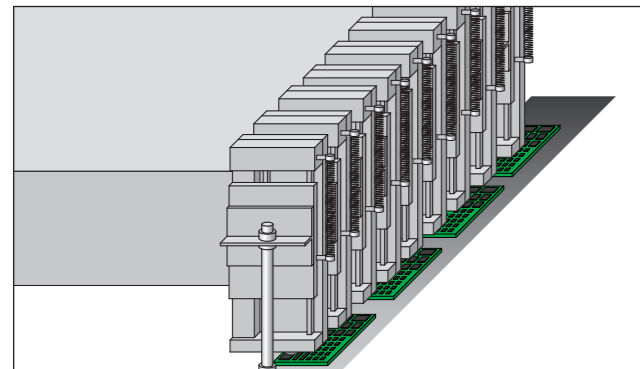
We pursued further miniaturization thoroughly. Especially, NT38V10, the smallest in the series, is only 11mm in sectional height, 38mm in table width and 62mm in overall length. The occupied space is not increased even when many tables are layered, so further miniaturization of the positioning mechanism is promoted.

Model and size	NT38V10	NT38V18	NT55V25	NT55V65	NT80V25	NT80V65	NT80V120
Sectional shape (mm)							

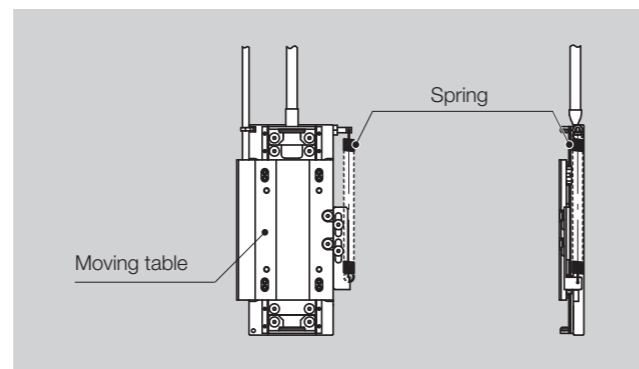
### 2 ● Compatible with vertical mounting structure

Falling of moving table in power shutdown is prevented by integration of individual spring system balance mechanism. Making use of low profile and compact characteristics of NT...V, multiple pick and place mechanism can be established.

Multiple pick and place mechanism (image)



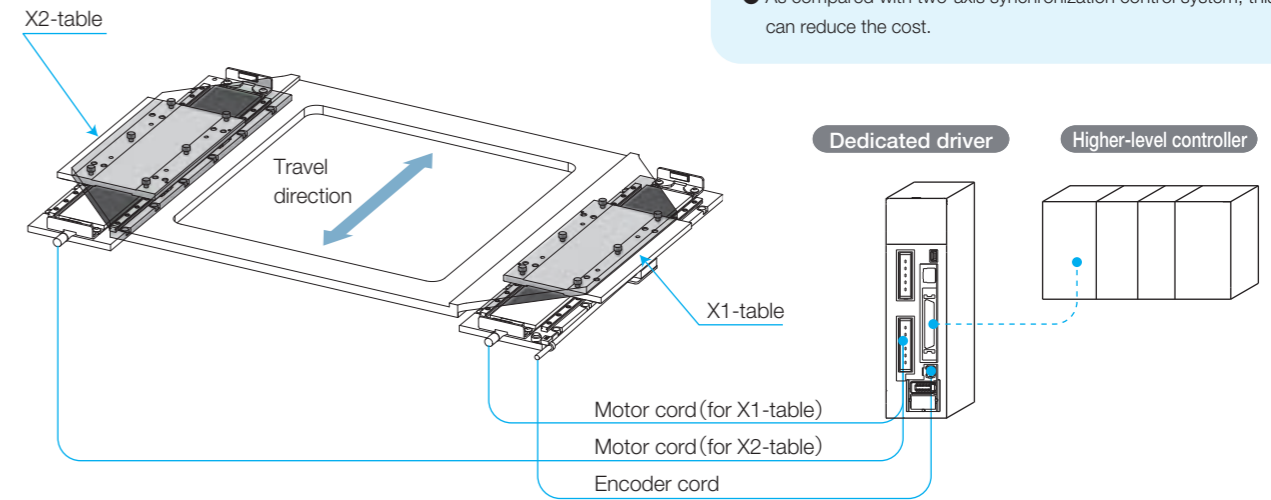
Spring system balance mechanism



Remark: Vertical mounting structure is prepared based on respective usages. As we select spring according to your use conditions, please contact IKO.

### 3 ● Two-axis parallel operation

Performing rigid-connection of two units of NT...V arranged in parallel and driving with a single specific driver enables high thrust force and stable attitude accuracy.



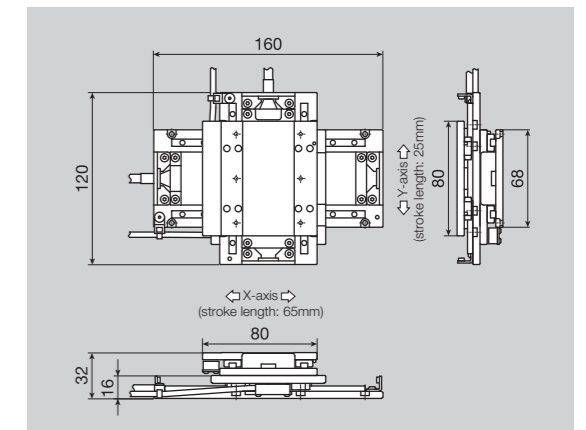
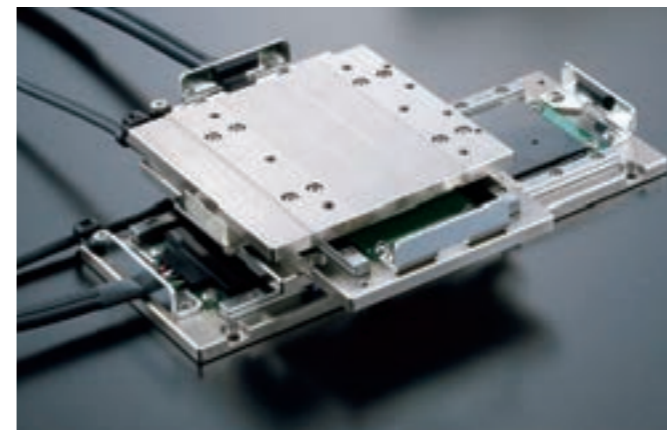
Remark: If two-axis parallel operation is required, please contact IKO.

#### Features of two-axis parallel operation

- Large thrust force can be obtained by two-axis driving.
- Driving right and left tables can minimize the table delay and flame torsion.
- Table delay and flame torsion are minimized, which ensures high positioning accuracy.
- As compared with two-axis synchronization control system, this can reduce the cost.

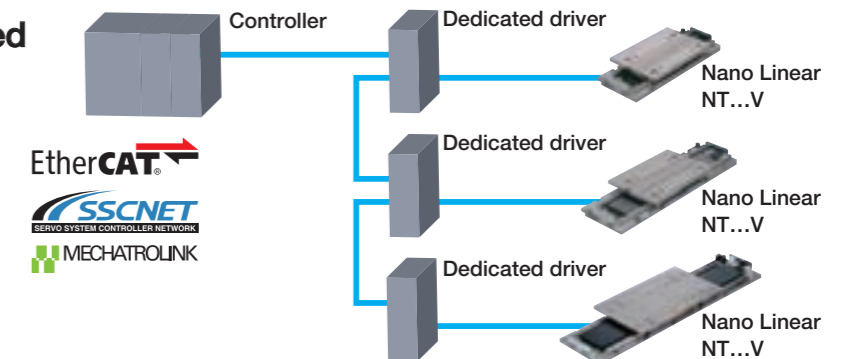
### 4 ● XY two-axis combination specification

Two units of NT80V can be used in combination without any special attachment and XY-table with low profile can be easily established.



### 5 ● Motion network is supported

Drivers compatible with motion network EtherCAT, SSCNET III/H, and MECHATROLINK are also available, so an advanced system with streamlined wiring can be configured.



Remark: EtherCAT® is registered trademark and patented technology, licensed by BeckhoffAutomation GmbH, Germany.

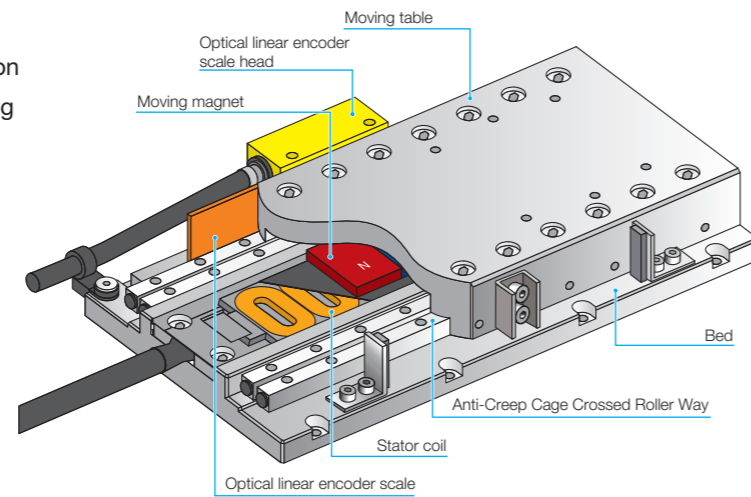
SSCNET III/H is a motion network communication system for servo system control developed by Mitsubishi Electric Corporation.

MECHATROLINK is an open field network controlled by MECHATROLINK Members Association.

1N=0.102kgf=0.2248lbs.  
1mm=0.03937inch

# NT...H [ High accuracy type ]

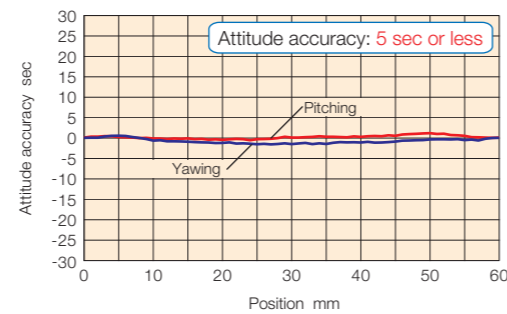
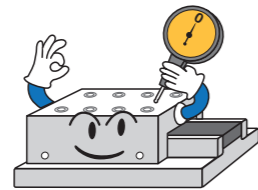
NT...H is a high-accuracy linear motor table that has realized high rigidity and smooth motions without pulsation comparative with air static pressure bearing by positioning accuracy and running straightness below  $1\mu\text{m}$ , using roller type Anti-Creep Cage Crossed Roller Way in the table guiding parts.



## Points

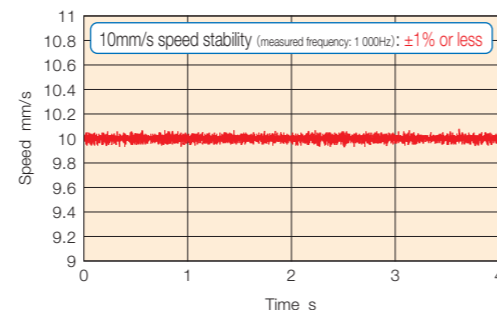
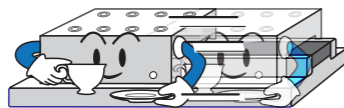
### 1 ● High attitude accuracy

Combination of parts processed with high accuracy and Anti-Creep Cage Crossed Roller Way realizes attitude accuracy of 5 sec or less. Variations in attitude due to movement is minimized, which ensures high positioning repeatability.



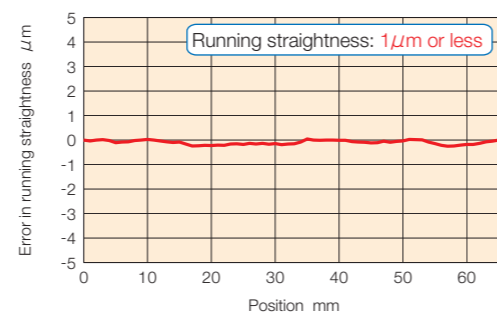
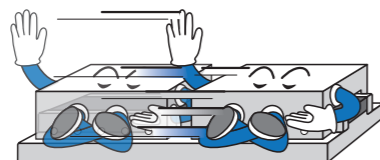
### 2 ● High speed stability

Speed stability is improved further thanks to smooth-motion Crossed Roller Way, coreless moving magnet type linear motor and high-performance servo driver.



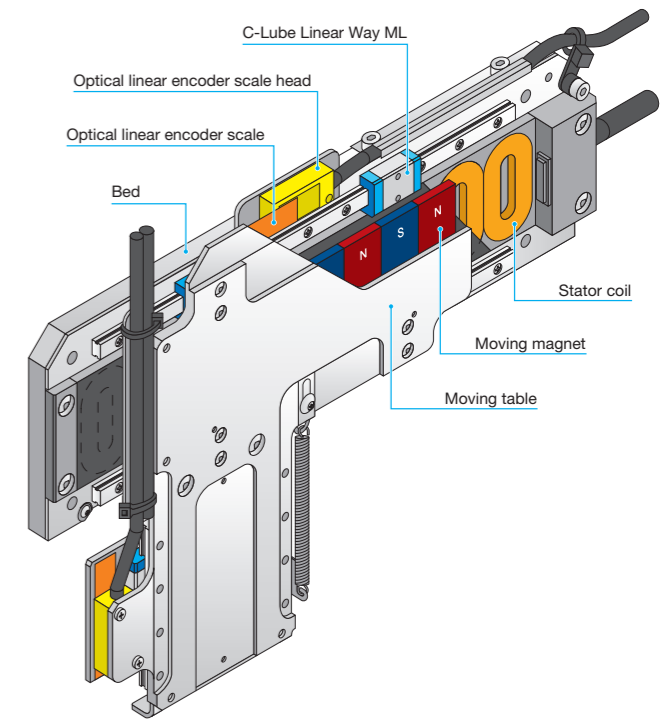
### 3 ● High running accuracy

High running accuracy as good as less than  $1\mu\text{m}$  running straightness is realized by precise finishing and assembly of components.



# NT...XZ [ Pick and place unit ]

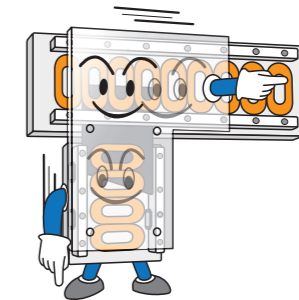
NT...XZ is a linear motor drive pick and place unit with ultra thin profile with 18mm thickness, realized by integrating X-axis moving table and Z-axis bed, using C-Lube Linear Way ML for miniature linear motion rolling guide in the table guiding parts. By entering a positioning program, you may set flexible operation patterns and change strokes according to works easily.



## Points

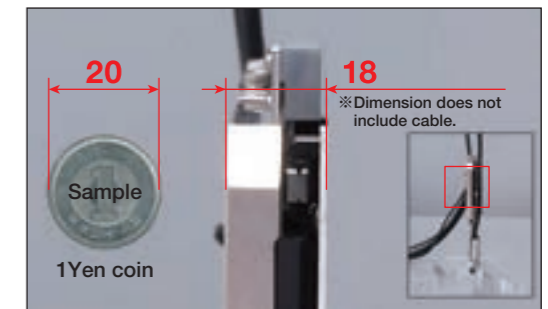
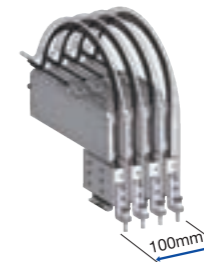
### 1 ● High-tact positioning

Pick & place unit of unparallelled structure with linear motor drive. Optical linear encoders are installed on both axes to realize accurate and high-tact positioning.



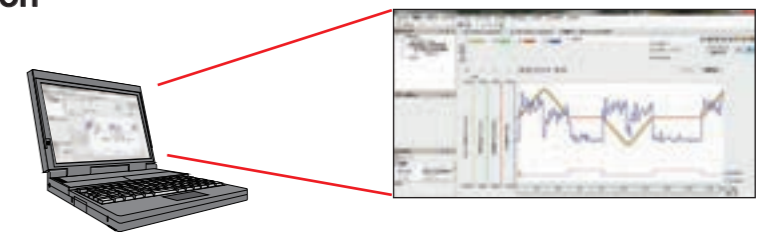
### 2 ● Ultrathin and space saving

Ultra thin profile of 18mm thickness is realized by integrating X-axis moving table and Z-axis bed. Parallel install of four units in a space of 100mm width is possible, and such space saving arrangement contributes to improvement of efficiency.



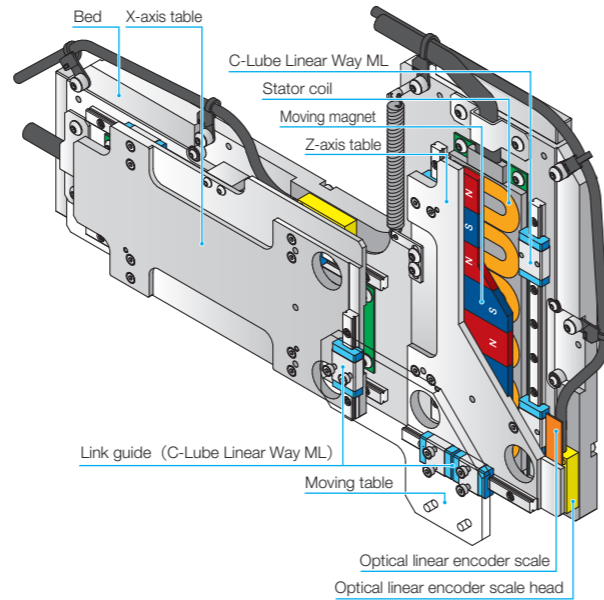
### 3 ● Operation monitoring function

The track can be verified from PC by using the driver monitoring function.



# NT...XZH [ High thrust pick and place unit ]

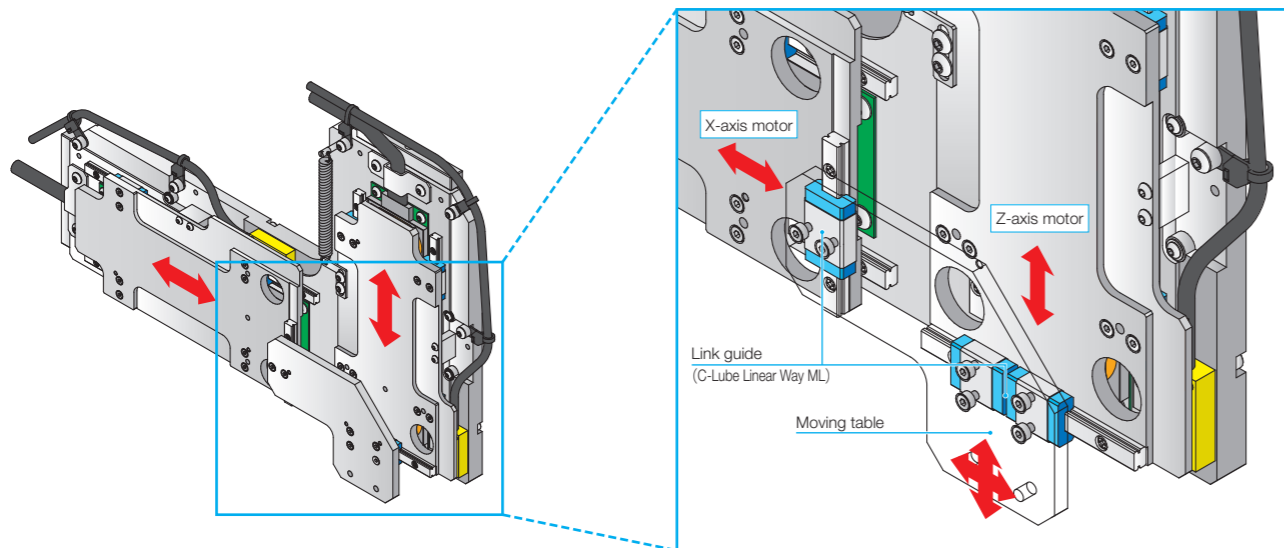
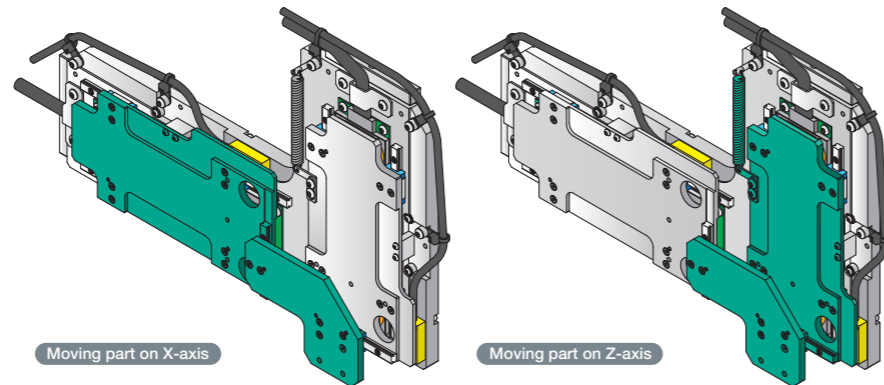
NT...XZH is a linear motor drive high thrust pick and place unit with compact integral X- and Z- axis, using C-Lube Linear Way ML for miniature linear motion rolling guide in the table guiding parts. Thanks to adoption of a system to drive moving table by using a link mechanism, it realizes both higher thrust force of the linear motor and weight reduction of the moving parts and reduces tact time. By entering a positioning program, you may set flexible operation patterns and change strokes according to works easily.



## Points

### 1 ● High thrust and high tact

Thanks to X- and Z-axis motor located on the flat surface and adoption of a system to drive moving table by using a link mechanism, it realizes both higher thrust force of the linear motor and weight reduction of the moving parts and significantly reduces tact time.



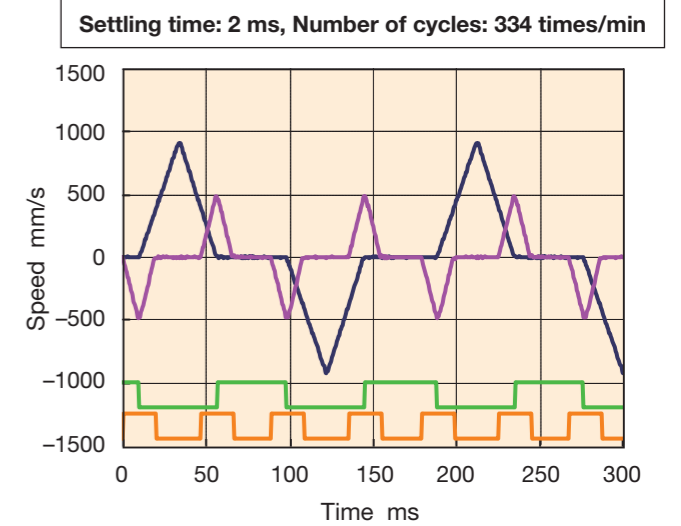
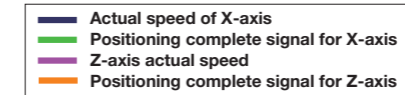
### 2 ● High resolution and high responsiveness

Performing fully-closed loop control by incorporating an optical linear encoder in both axes enables high resolution and high response.

#### Measuring condition

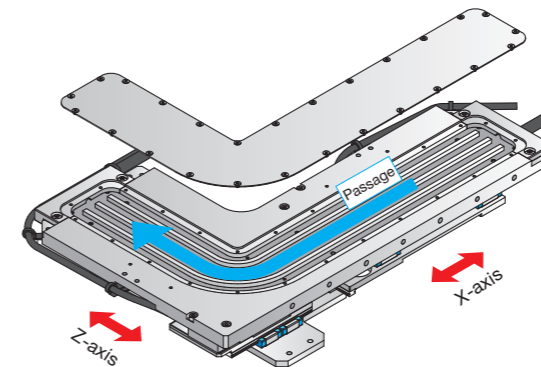
<b>NT90XZH2510/5</b>	
Effective thrust force	: X-axis; 14.8 N, Z-axis; 15.7 N
Carrying mass	: 150 g
Stroke	: X-axis; 22 mm, Z-axis; 5 mm
Acceleration / deceleration time	: X-axis; 24 ms, Z-axis; 9 ms

*Enables high-speed positioning!*

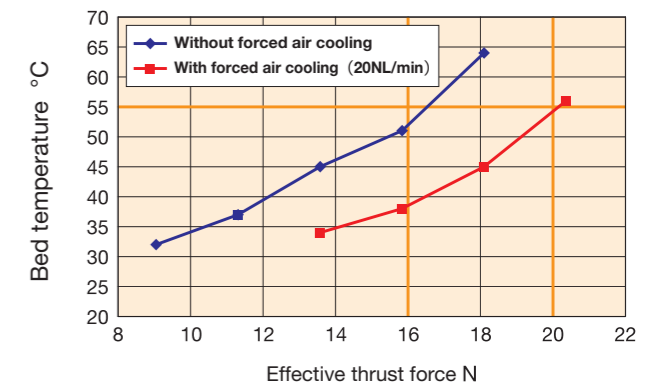


### 3 ● Air cooling

With the structure that heat-generating coils are converged at the stator, cooling and heat discharge to the mounting base are easy. When the air cooling option is specified, tact time can be shortened further.

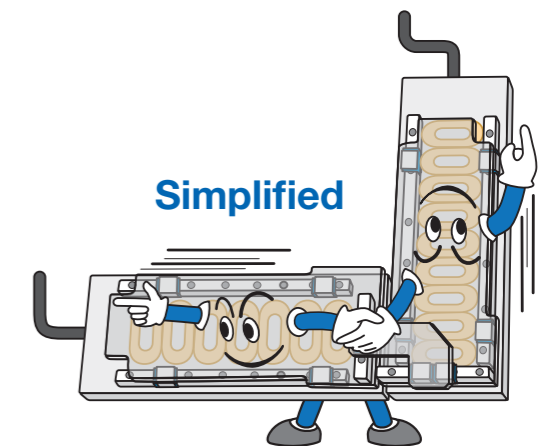


NT90XZH temperature (ambient temperature: 20°C)



### 4 ● Cableless moving parts

Though it is multi-axial unit, wiring is easy and higher cleanliness is realized by adopting cableless moving magnet system for the moving parts.

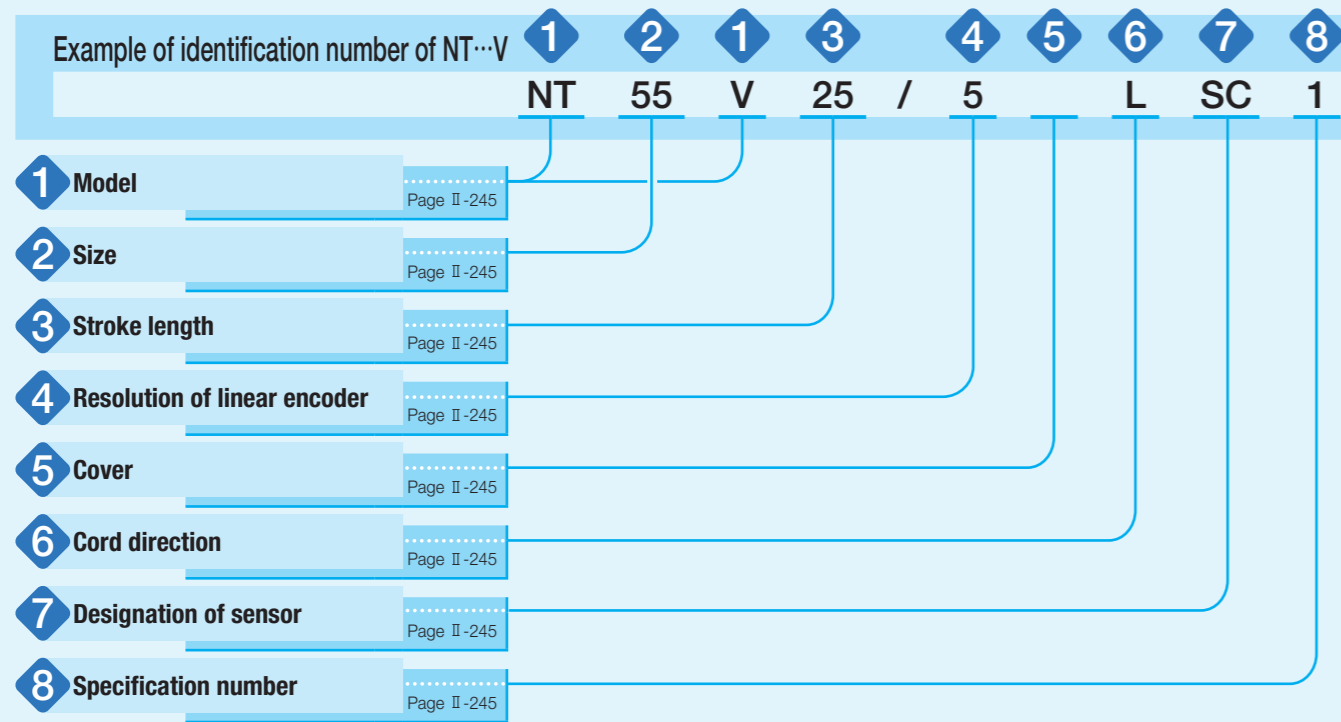


### 5 ● Operation monitoring function

As with NT...XZ, the track can be verified from PC by using the driver monitoring function.



## Identification Number



## Identification Number and Specification

1 Model	NT...V: Nano Linear NT...V
2 Size	38: Width 38mm 55: Width 55mm 80: Width 80mm
3 Stroke length	10: 10mm (applicable to NT38V) 18: 18mm (applicable to NT38V) 25: 25mm (applicable to NT55V and NT80V) 65: 65mm (applicable to NT55V and NT80V) 120: 120mm (applicable to NT80V)
4 Resolution of linear encoder	1 : 0.1 μm 1F: 0.1 μm High speed specification (applicable to NT55V and NT80V) When 1F is selected, a system configuration using dedicated driver ADVA is necessary. 5 : 0.5 μm
5 Cover	No symbol: Without cover D: With cover (applicable to NT38V)
6 Cord direction	L: Leftward R: Rightward Select from the cord direction indicated in Fig. 1. (direction for pulling out a cord when placing an encoder on the lower side)
7 Designation of sensor	No symbol: Without sensor SC : With sensor (limit and pre-origin) and sensor bracket Applicable to NT55V and NT80V two types of dedicated drivers, ADVA and MR-J4-10B ready for SSCNET III/H, are available for Nano Linear NT55V and NT80V. If MR-J4-10B is used, SC must be selected.
8 Specification number	1: Specification number 1 The specification number is limited to 1.

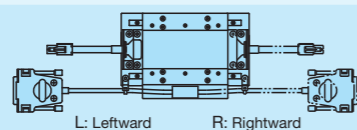
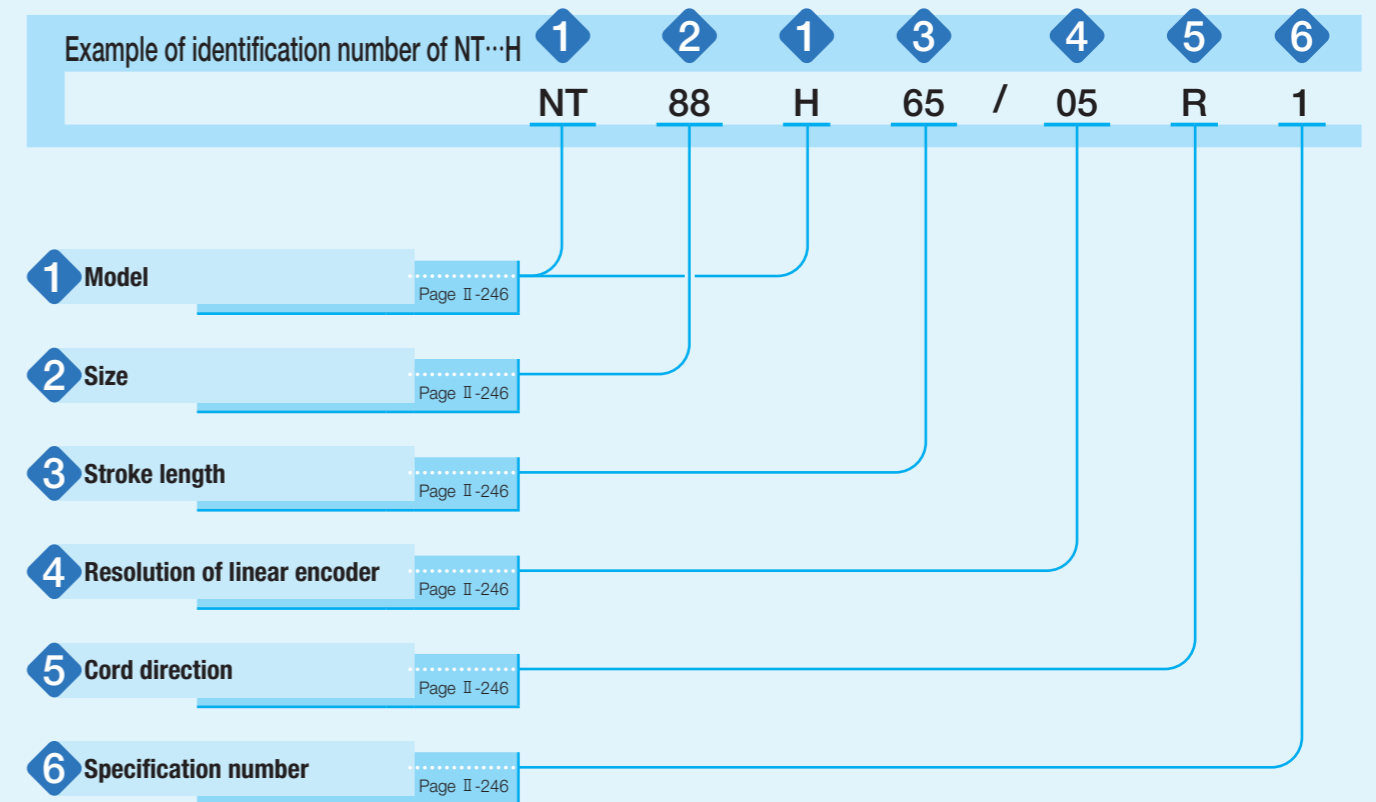


Fig. 1 NT...V cord direction

## Identification Number



## Identification Number and Specification

1 Model	NT...H: Nano Linear NT...H
2 Size	88: Width 88mm
3 Stroke length	25: 25mm 65: 65mm
4 Resolution of linear encoder	01: 0.01 μm 05: 0.05 μm
5 Cord direction	L: Leftward R: Rightward Select from the direction indicated in Fig. 2. (direction for pulling out a cord when placing an encoder on the lower side)
6 Specification number	1: Specification number 1 The specification number is limited to 1.

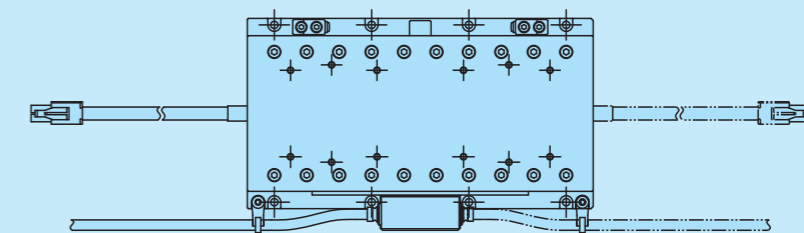
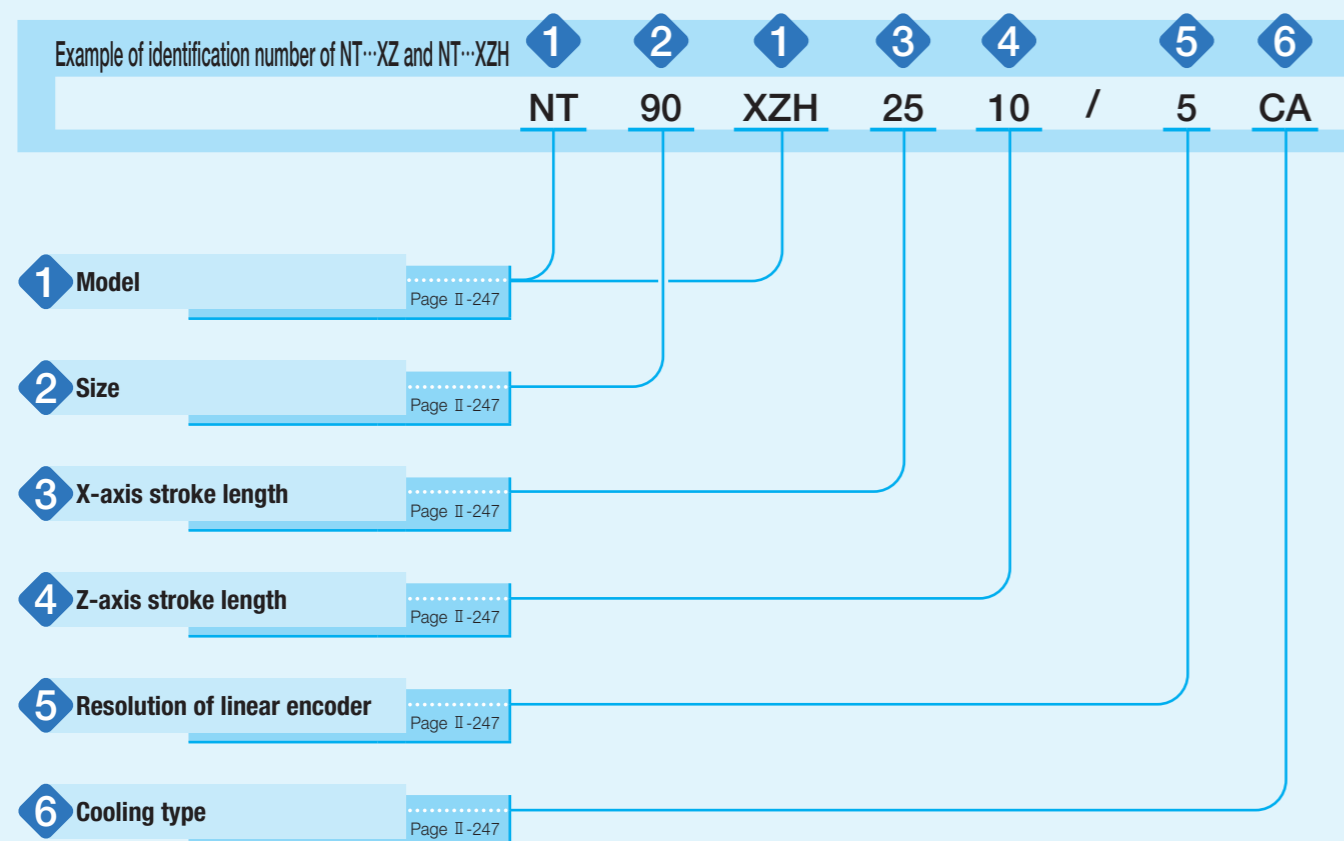


Fig. 2 NT88H cord direction

Fig. 2 NT88H cord direction

# Identification Number



# Identification Number and Specification

<b>1</b>	<b>Model</b>	NT...XZ : Nano Linear NT...XZ NT...XZH: Nano Linear NT...XZH, high thrust type
<b>2</b>	<b>Size</b>	80: Z-axis width of 80mm (applicable to NT...XZ) 90: Z-axis width of 90mm (applicable to NT...XZH)
<b>3</b>	<b>X-axis stroke length</b>	25: 25mm (applicable to NT...XZH) 45: 45mm (applicable to NT...XZ)
<b>4</b>	<b>Z-axis stroke length</b>	10: 10mm
<b>5</b>	<b>Resolution of linear encoder</b>	1 : 0.1 μm 1F: 0.1 μm High speed specification 5 : 0.5 μm
<b>6</b>	<b>Cooling type</b>	No symbol: Natural air cooling CA : Air cooling (applicable to NT...XZH)

# Specifications

**Table 1 Specification / Performance of NT38V**

Model and size		NT38V10		NT38V18	
Item					
Maximum thrust <sup>(1)</sup>	N	3			
Rated thrust <sup>(2)</sup>	N	0.6		0.8	
Maximum load mass	kg	0.5			
Effective stroke length	mm	10		18	
Resolution	μm	0.1	0.5	0.1	0.5
Maximum speed	mm/s	270	500	270	500
Positioning repeatability <sup>(3)</sup>	μm	±0.5			
Mass of moving table	kg	0.036 (with cover 0.040)		0.048 (with cover 0.052)	
Total mass <sup>(4)</sup>	kg	0.190 (with cover 0.198)		0.230 (with cover 0.239)	
Ambient temperature and humidity in operation		0~40°C · 20~80%RH (keep dewdrop free)			

Notes (1) The duration of maximum thrust is up to 1 second.  
 (2) This is based on the case of mounting on a metal mating member material at an ambient temperature of 20°C.  
 (3) When the temperature of the product is constant.  
 (4) Mass of the cord is not included.

**Table 2 Specification / Performance of NT55V**

Model and size		NT55V25			NT55V65		
Item							
Maximum thrust <sup>(1)</sup>	N	25					
Rated thrust <sup>(2)</sup>	N	7					
Maximum load mass	kg	5					
Effective stroke length	mm	25			65		
Resolution	μm	0.1	0.5	0.1	0.5	0.5	
Maximum speed	mm/s	270	1 000 <sup>(5)</sup>	1 300	270	1 000 <sup>(5)</sup>	1 300
Positioning repeatability <sup>(3)</sup>	μm	±0.5					
Mass of moving table	kg	0.17			0.17		
Total mass <sup>(4)</sup>	kg	0.42			0.5		
Ambient temperature and humidity in operation		0~40°C · 20~80%RH (keep dewdrop free)					

Notes (1) The duration of maximum thrust is up to 1 second.  
 (2) This is based on the case of mounting on a metal mating member material at an ambient temperature of 20°C.  
 (3) When the temperature of the product is constant.  
 (4) Mass of the cord is not included.  
 (5) Applicable to high speed specification.

**Table 3 Specification / Performance of NT80V**

Model and size		NT80V25			NT80V65			NT80V120		
Item										
Maximum thrust <sup>(1)</sup>	N	36								
Rated thrust <sup>(2)</sup>	N	8								
Maximum load mass	kg	5								
Effective stroke length	mm	25			65			120		
Resolution	μm	0.1	0.5	0.1	0.5	0.1	0.5	0.1	0.5	
Maximum speed	mm/s	270	1 000 <sup>(5)</sup>	1 300	270	1 000 <sup>(5)</sup>	1 300	270	1 000 <sup>(5)</sup>	1 300
Positioning repeatability <sup>(3)</sup>	μm	±0.5								
Mass of moving table	kg	0.28			0.28			0.47		
Total mass <sup>(4)</sup>	kg	0.68			0.83			1.4		
Ambient temperature and humidity in operation		0~40°C · 20~80%RH (keep dewdrop free)								

Notes (1) The duration of maximum thrust is up to 1 second.  
 (2) This is based on the case of mounting on a metal mating member material at an ambient temperature of 20°C.  
 (3) When the temperature of the product is constant.  
 (4) Mass of the cord is not included.  
 (5) Applicable to high speed specification.

Table 4 Specification / Performance of NT...H

Item	Model and size	NT88H25		NT88H65	
Maximum thrust <sup>(1)</sup>	N	25			
Rated thrust <sup>(2)</sup>	N	5			
Maximum load mass	kg	5			
Effective stroke length	mm	25		65	
Resolution	μm	0.01	0.05	0.01	0.05
Maximum speed	mm/s	90	400	90	400
Positioning accuracy <sup>(3)</sup>	μm	1			
Positioning repeatability <sup>(4)</sup>	μm	±0.1			
Parallelism in motion A	μm	5			
Attitude accuracy <sup>(5)</sup>	Sec	5			
Straightness in vertical and straightness in horizontal	μm	1			
Mass of moving table	kg	0.7		0.9	
Total mass <sup>(6)</sup>	kg	1.6		2	
Ambient temperature and humidity in operation		0~40°C · 20~80%RH (keep dewdrop free)			

Notes (1) The duration of maximum thrust is up to 1 second.  
 (2) This is based on the case of mounting on a metal mating member material at an ambient temperature of 20°C.  
 (3) The value is for the temperature of ambient and product being 20°C.  
 (4) When the temperature of the product is constant.  
 (5) This represents accuracy in pitching and yawing.  
 (6) Mass of the cord is not included.

Table 5 Specification / Performance of NT...XZ and NT...XZH

Item	Model and size	NT80XZ4510				NT90XZH2510							
		X-axis		Z-axis		X-axis		Z-axis					
Maximum thrust <sup>(1)</sup>	N	50		25		70							
Rated thrust <sup>(2)</sup>	N	10		2.5		Natural air cooling: 16 Air cooling <sup>(3)</sup> : 20							
Maximum load mass	kg	0.1				0.2							
Effective stroke length	mm	45		10		25		10					
Resolution	μm	0.1	0.5	0.1	0.5	0.1	0.5	0.1	0.5				
Maximum speed	mm/s	270	1 000 <sup>(7)</sup>	1 300	270	800 <sup>(7)</sup>	800	270	1 000 <sup>(7)</sup>	1 300	270	1 000 <sup>(7)</sup>	1 000
Positioning repeatability <sup>(4)</sup>	μm	±0.5				±0.5							
Mass of moving table	kg	0.6 <sup>(5)</sup>		0.12		0.38		0.35					
Total mass <sup>(6)</sup>	kg	1.6				2.8							
Ambient temperature and humidity in operation		0~40°C · 20~80%RH (keep dewdrop free)											

Notes (1) The duration of maximum thrust is up to 1 second.  
 (2) This is based on the case of mounting on a metal mating member material at an ambient temperature of 20°C.  
 (3) This is under air flow of 20NL/min.  
 (4) When the temperature of the product is constant.  
 (5) Mass of moving table of Z-axis is included.  
 (6) Mass of the cord is not included.  
 (7) Applicable to high speed specification.

■ Thrust characteristics of NT...V

NT38V

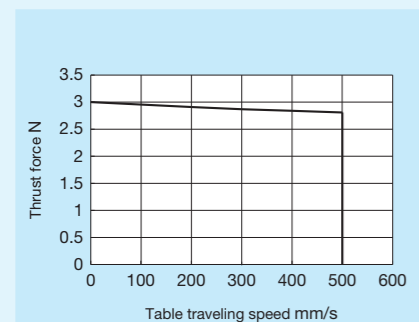


Fig. 3 Thrust characteristic of NT38V

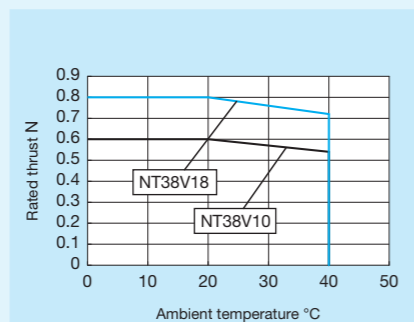


Fig. 4 Rated thrust characteristic of NT38V

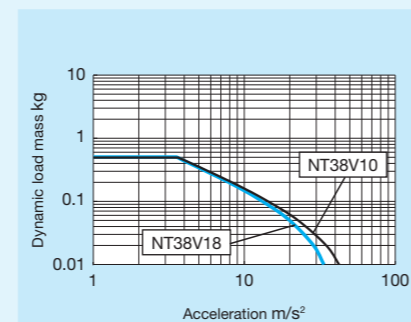


Fig. 5 Dynamic load mass of NT38V

Remark: This is a case when mounting on a metal mating member material.

Remark: This is a value calculated based on the thrust force with table moving speed set to 500mm/s.

NT55V

● Use with driver ADVA-01NL or MR-J4

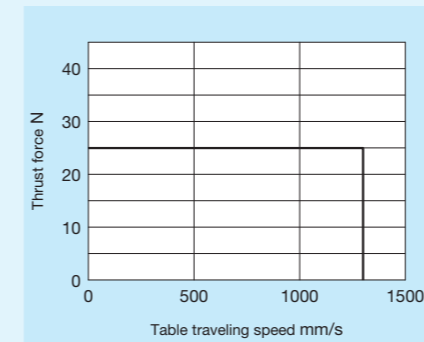


Fig. 6 Thrust characteristic of NT55V

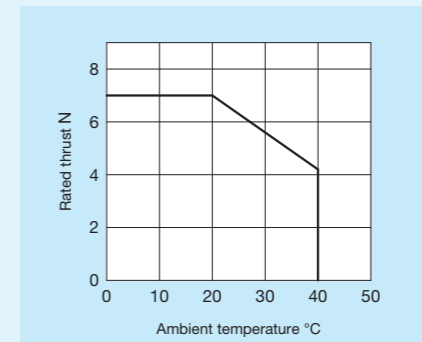


Fig. 7 Rated thrust characteristic of NT55V

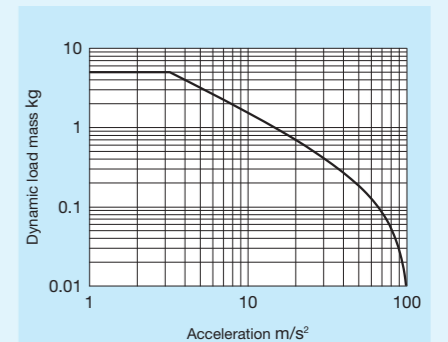


Fig. 8 Dynamic load mass of NT55V

Remark: This is a case when mounting on a metal mating member material.

Remark: This is a value calculated based on the thrust force with table moving speed set to 500mm/s.

● Use with driver ADVA-R5ML

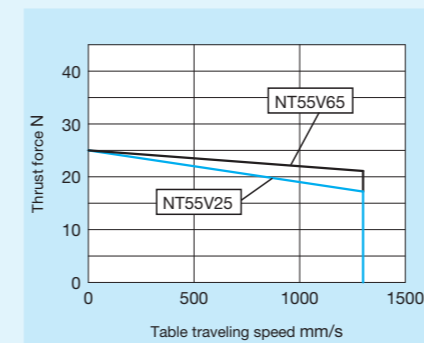


Fig. 9 Thrust characteristic of NT55V

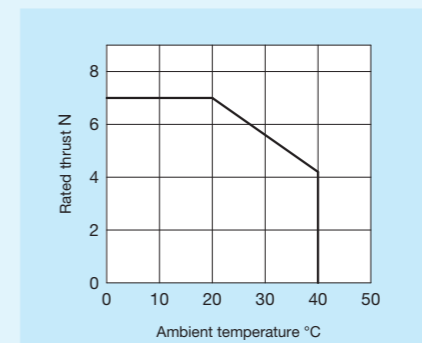


Fig. 10 Rated thrust characteristic of NT55V

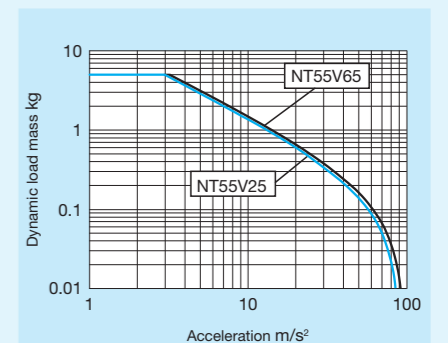


Fig. 11 Dynamic load mass of NT55V

Remark: This is a case when mounting on a metal mating member material.

Remark: This is a value calculated based on the thrust force with table moving speed set to 500mm/s.

NT80V

● Use with driver ADVA-01NL or MR-J4

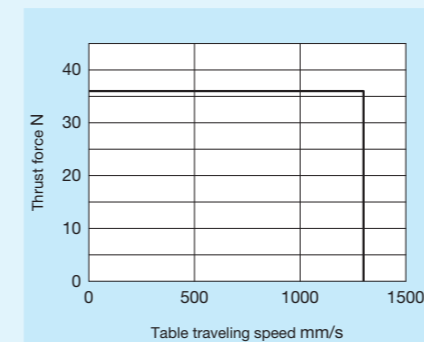


Fig. 12 Thrust characteristic of NT80V

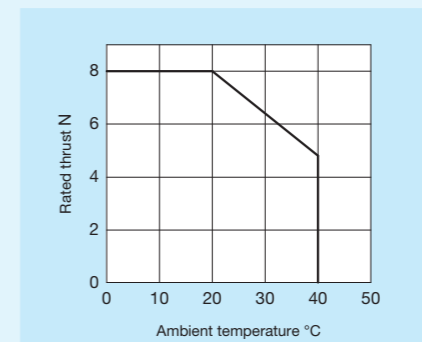


Fig. 13 Rated thrust characteristic of NT80V

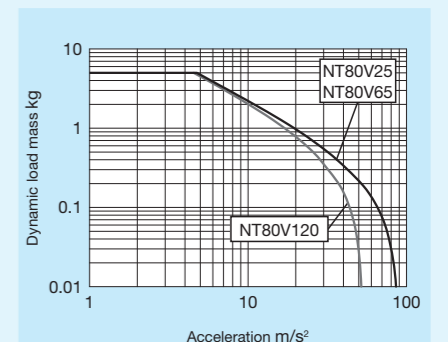


Fig. 14 Dynamic load mass of NT80V

Remark: This is a case when mounting on a metal mating member material.

Remark: This is a value calculated based on the thrust force with table moving speed set to 500mm/s.

● Use with driver ADVA-R5ML

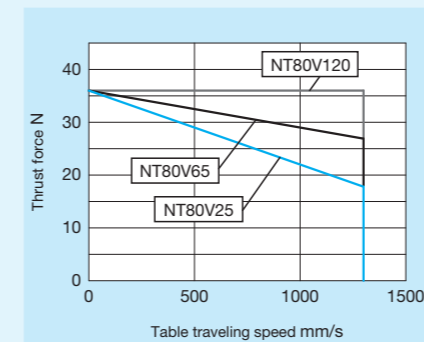


Fig. 15 Thrust characteristic of NT80V

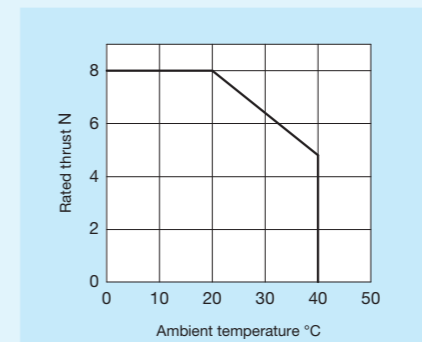


Fig. 16 Rated thrust characteristic of NT80V

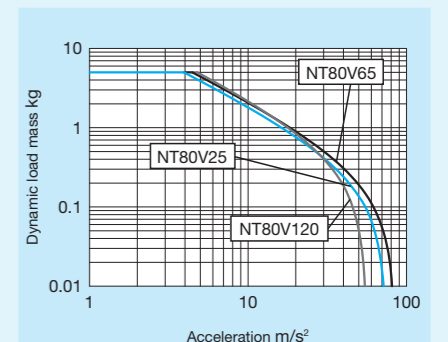


Fig. 17 Dynamic load mass of NT80V

Remark: This is a case when mounting on a metal mating member material.

Remark: This is a value calculated based on the thrust force with table moving speed set to 500mm/s.

1N=0.102kgf=0.2248lbs.  
1mm=0.03937inch



■ Thrust characteristics of NT···H

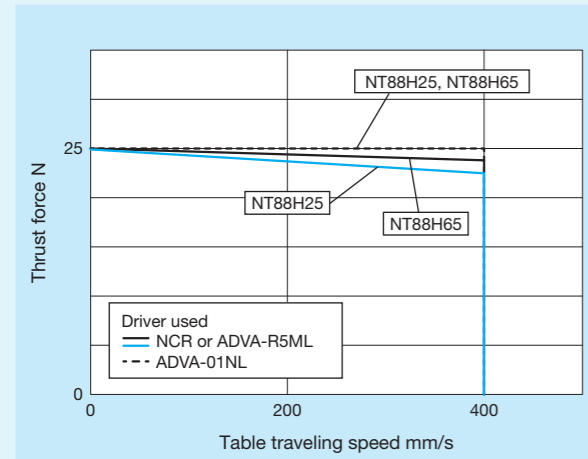


Fig. 18 Thrust characteristic of NT88H

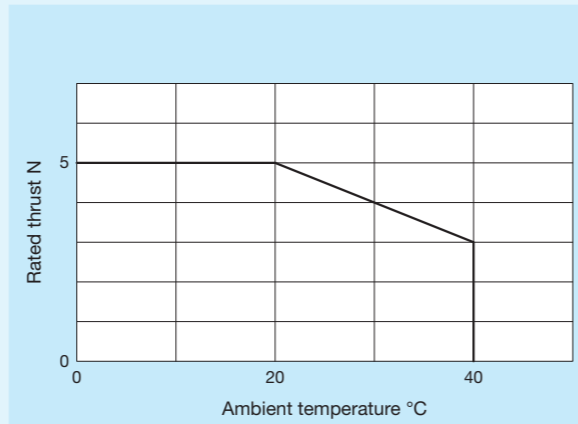


Fig. 19 Rated thrust characteristic of NT88H

Remark: This is a case when mounting on a metal mating member material.

■ Thrust characteristics of NT···XZ and NT···XZH

● Use with driver ADVA-01NL

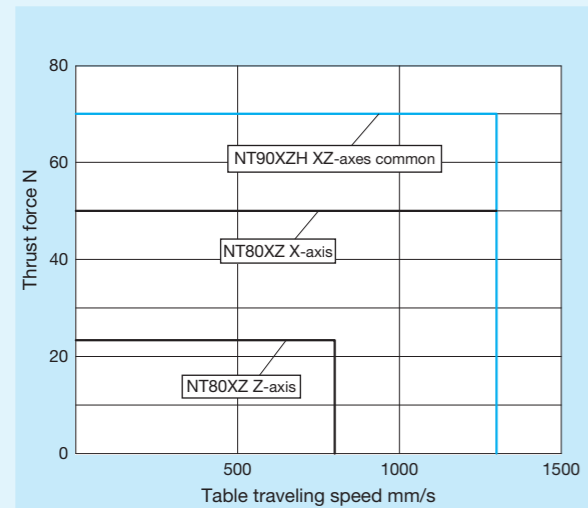


Fig. 20 Thrust characteristics of NT···XZ and NT···XZH

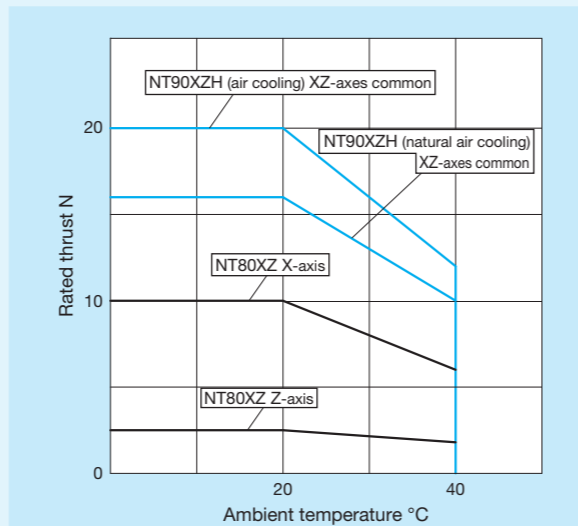


Fig. 21 Rated thrust characteristics of NT···XZ and NT···XZH

Remark: This is a case when mounting on a metal mating member material.

● Use with driver ADVA-R5ML

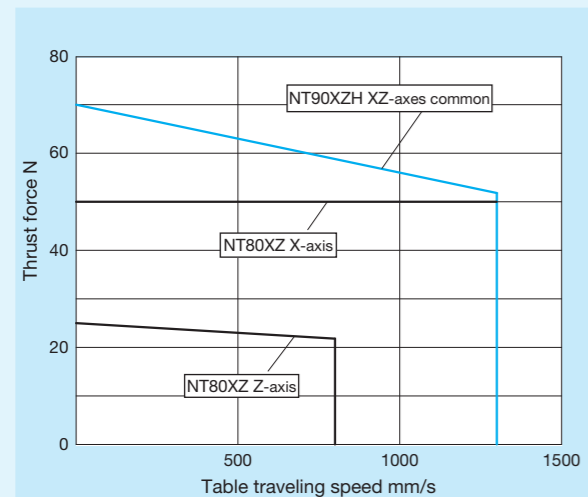


Fig. 22 Thrust characteristics of NT···XZ and NT···XZH

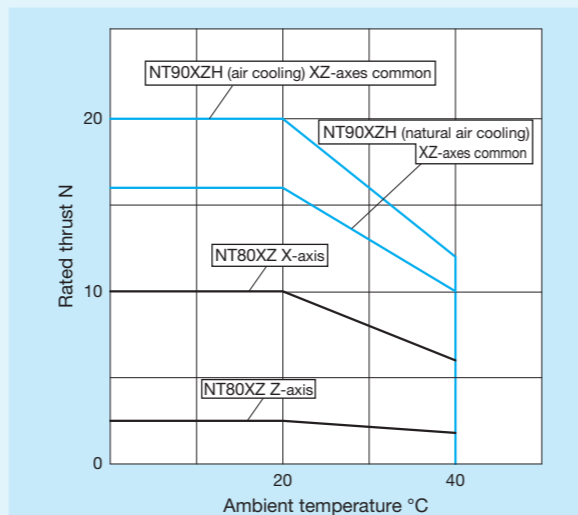


Fig. 23 Rated thrust characteristics of NT···XZ and NT···XZH

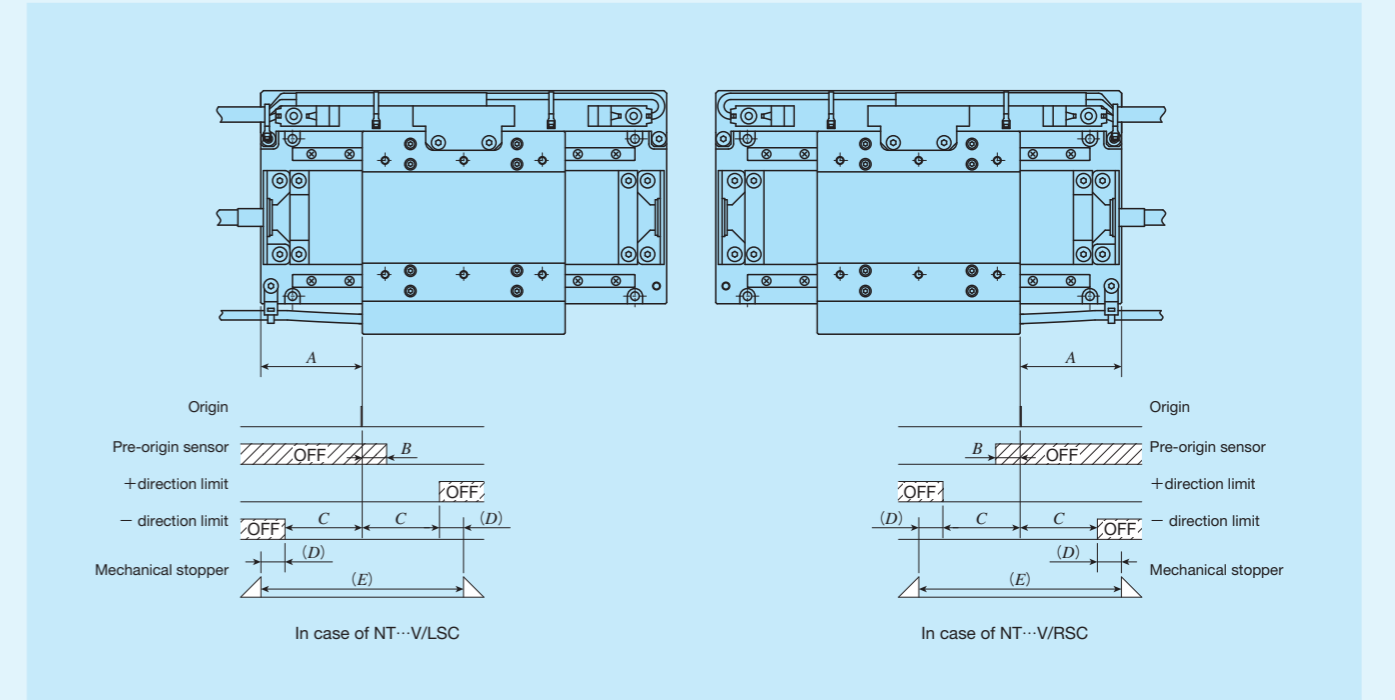
Remark: This is a case when mounting on a metal mating member material.

Mounting

For the processing accuracy of the Precision Positioning Table mounting surface and the tightening torque of the fixing screws, see page III-29.

Sensor Specification

Table 6 Sensor timing chart for NT55V/SC and NT80V/SC



Model and size	A	B <sup>(1)</sup>	C <sup>(1)</sup>	D <sup>(1)</sup>	E <sup>(1)</sup>
NT55V 25/SC	20	4	12.5	3	31
NT55V 65/SC	40	4	32.5	3	71
NT80V 25/SC	20	4	12.5	3	31
NT80V 65/SC	40	4	32.5	3	71
NT80V120/SC	70	4	60	5.5	131

Note <sup>(1)</sup> Respective values are for reference and are not guaranteed values. For detailed dimensions, please contact IKO.

Remark: For the specifications of respective sensors, please see the section of sensor specification in General Explanation.

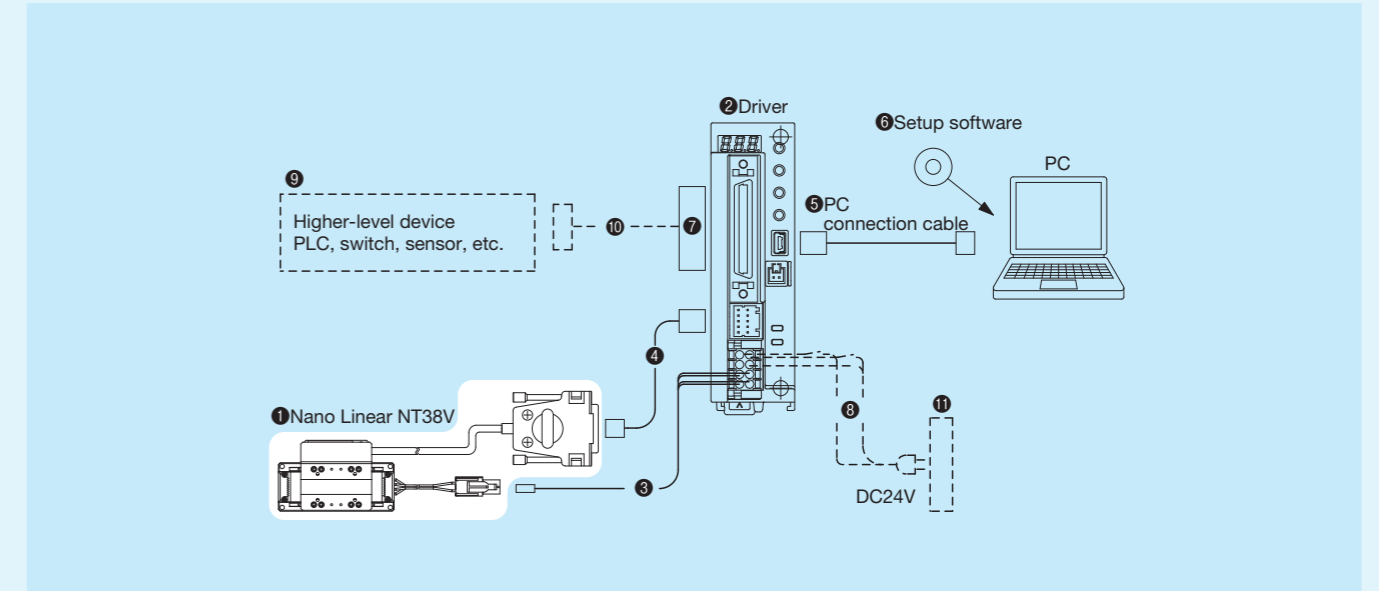
● NT···V, NT···XZ and NT···XZH do not have a built-in sensor

Return to origin operation in a system configuration using driver ADVA and the system configuration for NT38V is conducted by external input. In the return to origin operation, the moving table turns around after contacting the mechanical stopper, and then stops at the origin position. Since, however, a limit sensor and a pre-origin sensor can be mounted on NT55V and NT80V with a supplemental signal (/SC), the return to origin operation using each sensor is also possible. Forward / backward direction limit detection in a system configuration using the driver ADVA is performed by driver's software limit function. The stroke range can be set by parameters for driver. In addition, the software limit function is only enabled in position control mode and return to origin must be completed. In case of speed control mode and thrust force control mode, mount an external sensor.

System configuration for NT38V

There are dedicated drivers for Nano Linear NT38V, and the system configuration is shown in Table 7. For detailed driver specifications, see the driver specification section on page II-359. Please contact IKO if the use of other drivers is required. When you place an order, please specify desired identification numbers from the list of Table 7.

Table 7 System configuration for NT38V



No.	Name	Identification number
1	Nano Linear NT...V	NT38V
2	Driver	MR-J4-03A6-NL156J154 (NT38V10) MR-J4-03A6-NL156J155 (NT38V18)
3	Motor extension cord (3m <sup>(1)</sup> )	TAE20W2-AM03
4	Encoder extension cord (2m <sup>(1)</sup> )	TAE20W3-EC02
5	PC connection cable (3m)	MR-J3USBCBL3M
6	Setup software	SW1DNC-MRC2-J
7	Connectors for input & output signal	TAE20R5-CN <sup>(2)</sup>
8	Power cord	
9	Higher-level device, Sensor <sup>(3)</sup>	This must be prepared by customer.
10	Higher-level device, Sensor connection cord <sup>(3)</sup>	
11	DC24V power supply	

Notes <sup>(1)</sup> For specific cord length, please contact IKO.  
<sup>(2)</sup> Connectors for input & output signal TAE20R5-CN is a combined product of 10150-3000PE (connector) and 10350-52F0-008 (cover) from 3M Japan Limited.  
<sup>(3)</sup> Depending on the higher-level device connected, a sensor may be required for return to origin. For details, contact IKO.

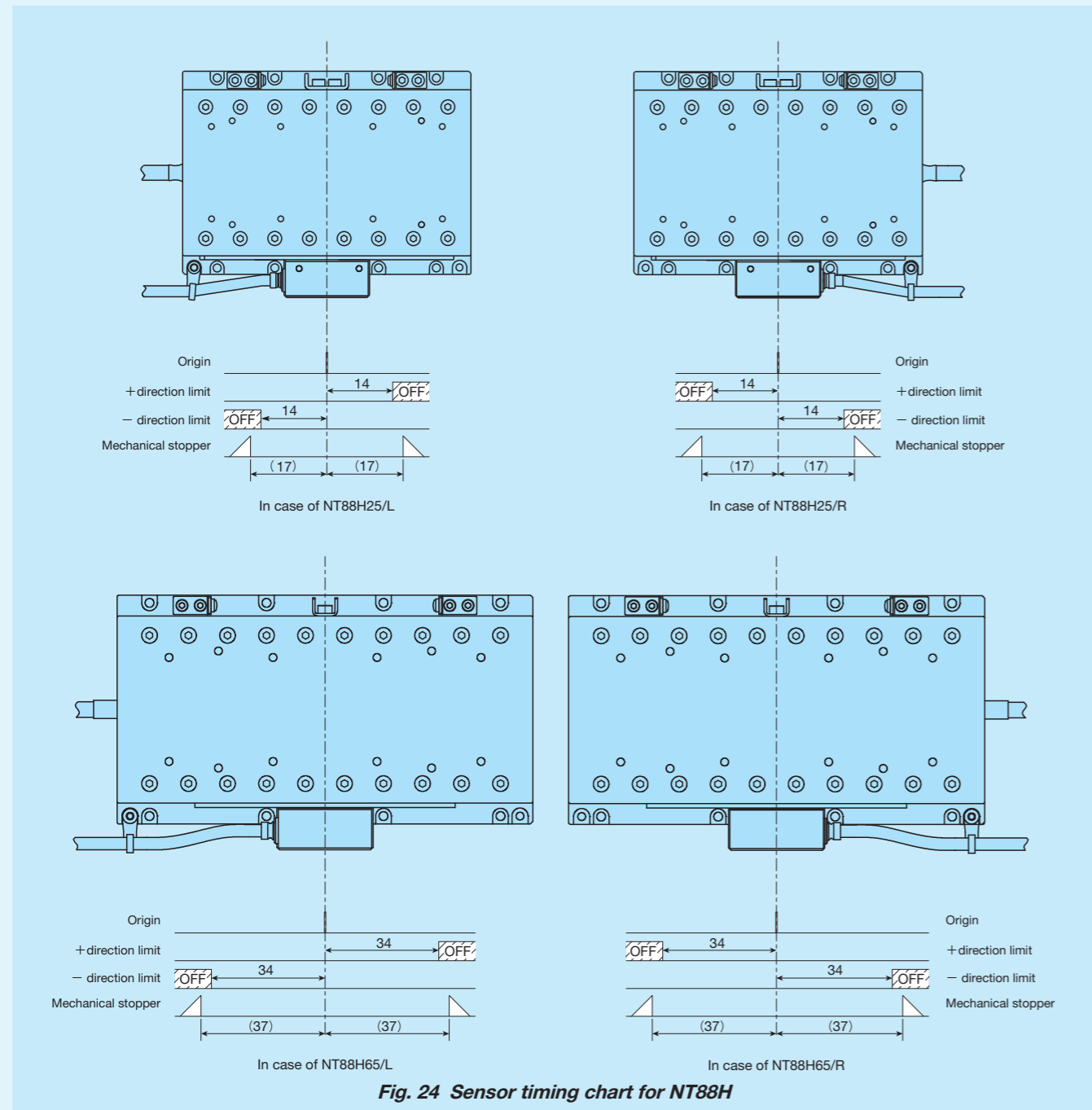


Fig. 24 Sensor timing chart for NT88H

Note <sup>(1)</sup> Respective values are for reference and are not guaranteed values. For detailed dimensions, please contact IKO.

- Remarks 1. For return to origin operation in a standard system configuration, use the return to origin function (limit inversion method) of the driver. It is necessary to input the limit signal output from the encoder interface to the driver.  
 2. Pre-origin sensor is not provided.  
 3. For the specifications of respective sensors, please see the section of sensor specification in General Explanation.

System configuration for Nano Linear NT (excluding NT38V)

There are dedicated drivers for each model of the Nano Linear NT (excluding NT38V), and the system configuration varies depending on the driver used. Table 8 shows the applicability of Nano Linear models and driver types. Table 9 shows the example of identification number for ADVA, and Table 10 shows the tables and model number of the applicable MR-J4. For detailed driver specifications, see the driver specifications on pages II-360 to II-363.

Please also note that the drivers compatible with MECHATROLINK will be prepared upon request. If needed, please contact IKO.

Table 8 Applicability table of Nano Linear models and driver types

Driver	Command type	Nano Linear model				
		NT55V	NT80V	NT88H	NT80XZ	NT90XZH
ADVA	Pulse train command	○	○	○	○	○
	EtherCAT	○	○	○	○	○
MR-J4	SSCNET III/H	○ <sup>(1)</sup>	○ <sup>(1)</sup>	—	—	—
NCR	Pulse train command	—	—	○	—	—

Note <sup>(1)</sup> Only compatible with sensor-included specification / SC.

Remark: Please contact IKO if the use of non-applicable drivers is required.

Table 9 Model number for ADVA

ADVA - 01NL EC / NT55V25  
 ① Model                      ②                      ③                      ④

② Power supply voltage	
01NL	Single-phase / Three-phase 200 V
R5ML	Single-phase 100 V

③ Command type	
No symbol	Pulse train command
EC	EtherCAT

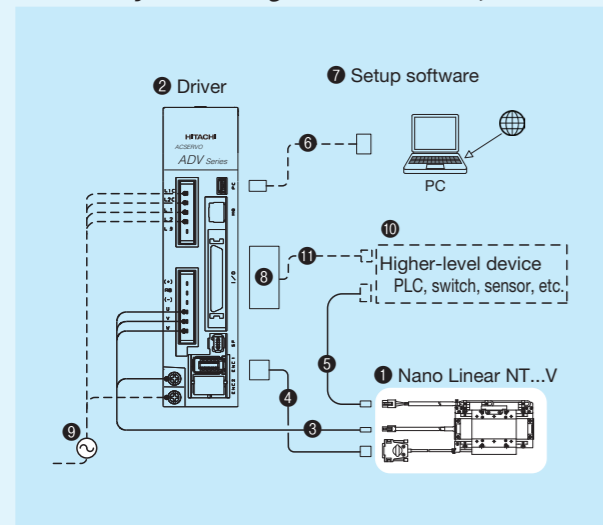
④ Applicable Nano Linear model	
NT55V 25	NT55V 25
NT55V 65	NT55V 65
NT80V 25	NT80V 25
NT80V 65	NT80V 65
NT80V120	NT80V120
NT88H 25	NT88H 25
NT88H 65	NT88H 65
NT80XZ-X	NT80XZ X-axis
NT80XZ-Z	NT80XZ Z-axis
NT90XZH	For both NT90XZH X-axis and Z-axis

Table 10 Nano Linear NT55V, NT80V and model number of applicable MR-J4

Model number of table	Model number of driver
NT55V 25	MR-J4-10B-RJ/NT55V25
NT55V 65	MR-J4-10B-RJ/NT55V65
NT80V 25	MR-J4-10B-RJ/NT80V25
NT80V 65	MR-J4-10B-RJ/NT80V65
NT80V120	MR-J4-10B-RJ/NT80V120

Remark: MR-J4-10B is only applicable to sensor-included specification / SC.

Table 11 System configuration for NT55V, NT80V with driver ADVA



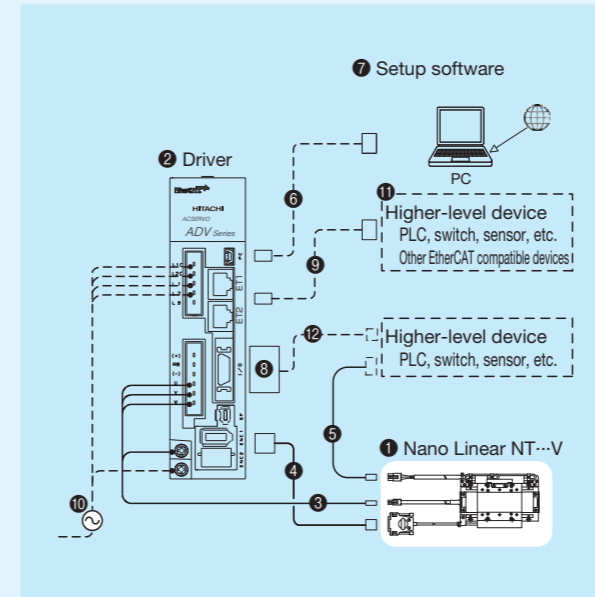
No.	Name	Model and size
3	Motor extension cord (3m) <sup>(1)</sup>	TAE20V3-AM03
4	Encoder extension cord (2m) <sup>(1)</sup>	TAE20V4-EC02
5	Sensor extension cord <sup>(2)</sup>	TAE10V8-LC□□
6	PC connection cable	USB mini B cable This must be prepared by customer.
7	Setup software	ProDriveNext Please download from the official website of Hitachi Industrial Equipment Systems Co., Ltd.
8	I/O connector	TAE20R5-CN <sup>(3)</sup>
9	Power cord	This must be prepared by customer.
10	Higher-level device	
11	I/O connector connection cable	

Notes <sup>(1)</sup> For specific cord length, please contact IKO.

<sup>(2)</sup> The lengths of the sensor extension cord is specified in the fields of □□ located at the end of the identification number with a length from 3 to 10m in units of 1m.

<sup>(3)</sup> I/O connector TAE20R5-CN is a combined product of 10150-3000PE (connector) and 10350-52F0-008 (cover) from 3M Japan Limited.

Table 12 System configuration for NT55V, NT80V with driver ADVA...EC



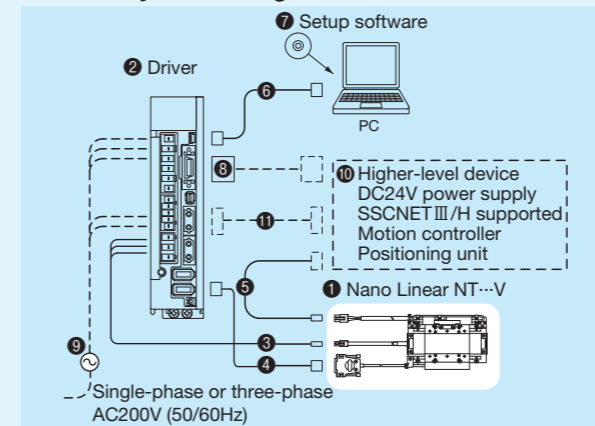
No.	Name	Model and size
3	Motor extension cord (3m) <sup>(1)</sup>	TAE20V3-AM03
4	Encoder extension cord (2m) <sup>(1)</sup>	TAE20V4-EC02
5	Sensor extension cord <sup>(2)</sup>	TAE10V8-LC□□
6	PC connection cable	USB mini B cable This must be prepared by customer.
7	Setup software	ProDriveNext Please download from the official website of Hitachi Industrial Equipment Systems Co., Ltd.
8	I/O connector	TAE20V5-CN <sup>(3)</sup>
9	Ethernet cable	This must be prepared by customer.
10	Power cord	
11	Higher-level device	
12	I/O connector connection cable	

Notes <sup>(1)</sup> For specific cord length, please contact IKO.

<sup>(2)</sup> The lengths of the sensor extension cord is specified in the fields of □□ located at the end of the identification number with a length from 3 to 10m in units of 1m.

<sup>(3)</sup> I/O connector TAE20V5-CN is a combined product of 10120-3000PE (connector) and 10320-52F0-008 (cover) from 3M Japan Limited.

Table 13 System configuration for NT55V and NT80V with driver MR-J4-10B (SSCNET III/H compatible)



No.	Name	Identification Number
3	Motor extension cord (3m) <sup>(1)</sup>	TAE20V3-AM03
4	Encoder extension cord (2m) <sup>(1)</sup>	TAE20V6-EC02
5	Sensor extension cord <sup>(2)</sup>	TAE10V8-LC□□
6	PC connection cable (3m)	MR-J3USBCBL3M
7	Setup software	SW1DNC-MRC2-J
8	I/O connection connector	MR-CCN1 <sup>(3)</sup>
9	Power cord	This must be prepared by customer.
10	Higher-level device <sup>(4)</sup>	
11	SSCNET III/H connection cable	

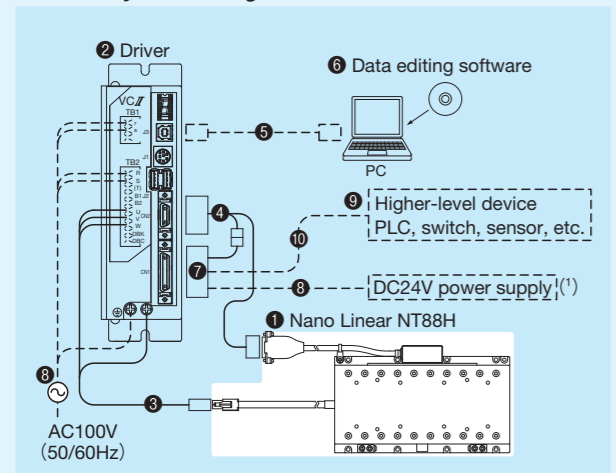
Notes <sup>(1)</sup> For specific cord length, please contact IKO.

<sup>(2)</sup> The lengths of the sensor extension cord is specified in the fields of □□ located at the end of the identification number with a length from 3 to 10m in units of 1m.

<sup>(3)</sup> Connectors for input/output connection MR-CCN1 is a combined product of 10120-3000PE (connector) and 10320-52F0-008 (cover) from 3M Japan Limited.

<sup>(4)</sup> The higher-level devices are a motion controller, positioning unit and DC24V power supply ready for SSCNET III/H from Mitsubishi Electric Corporation.

Table 14 System configuration for NT88H with driver NCR



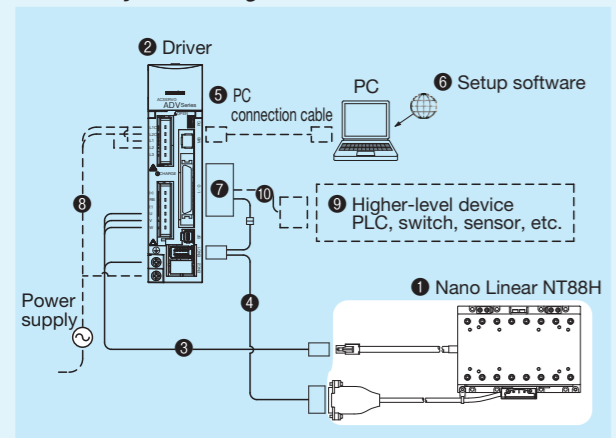
No.	Name	Model number
1	Nano Linear NT...H	NT88H
2	Driver	NCR-DDA0A1A-051D-T08
3	Motor extension cord (3m) <sup>(2)</sup>	TAE20T8-AM03
4	Encoder extension cord (2m) <sup>(2)</sup>	TAE20T9-EC02
5	PC connection cable	This must be prepared by customer. USB cable A plug - B plug
6	Data editing software	NCR-XCR000-S135
7	Connector set	TAE20U0-CN <sup>(3)</sup>
8	Power cord	This must be prepared by customer.
9	Higher-level device	
10	I/O connector connection cable	

Notes <sup>(1)</sup> DC24V power supply must be prepared separately by customer.

<sup>(2)</sup> For specific cord length, please contact IKO.

<sup>(3)</sup> The connector set TAE20U0-CN is a set of I/O connector and connector for sensor (crimp wired (200mm)).  
The I/O connector is a combined product of 10136-3000PE (connector) and 10336-52F0-008 (cover) from 3M Japan Limited.  
The connector for sensor is a combined product of 170365-1 (contact) and 172157-1 (housing) from Tyco Electronics Japan G.K..

Table 15 System configuration for NT88H with driver ADVA

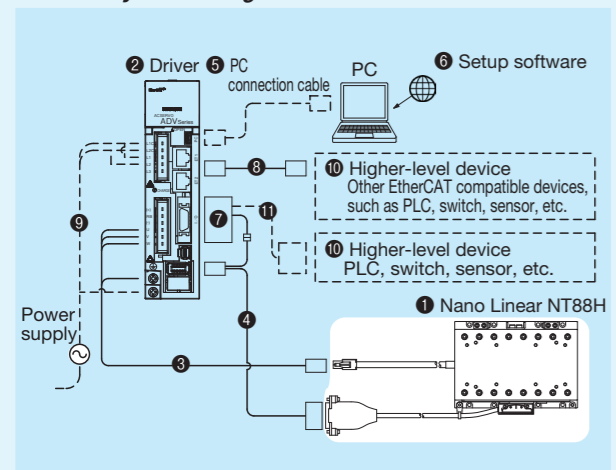


No.	Name	Identification number
3	Motor extension cord	TAE20V3-AM03 (3m) <sup>(1)</sup>
4	Encoder extension cord	TAE20W5-EC02 (2m) <sup>(1)</sup>
5	PC connection cable	USB mini B cable This must be prepared by the customer.
6	Setup software	ProDriveNext Please download from the official website of Hitachi Industrial Equipment Systems Co., Ltd.
7	Connector set	TAE20W6-CN <sup>(2)</sup>
8	Power cord	This must be prepared by the customer.
9	Higher-level device	
10	I/O connector connection cable	

Notes <sup>(1)</sup> For specific cord length, please contact IKO.

<sup>(2)</sup> The connector set TAE20W6-CN is a set of I/O connector and connector for sensor (crimp wired (200mm)).  
The I/O connector is a combined product of 10150-3000PE (connector) and 10350-52F0-008 (cover) from 3M Japan Limited.  
The connector for sensor is a combined product of 170365-1 (contact) and 172157-1 (housing) from Tyco Electronics Japan G.K..

Table 16 System configuration for NT88H with driver ADVA...EC

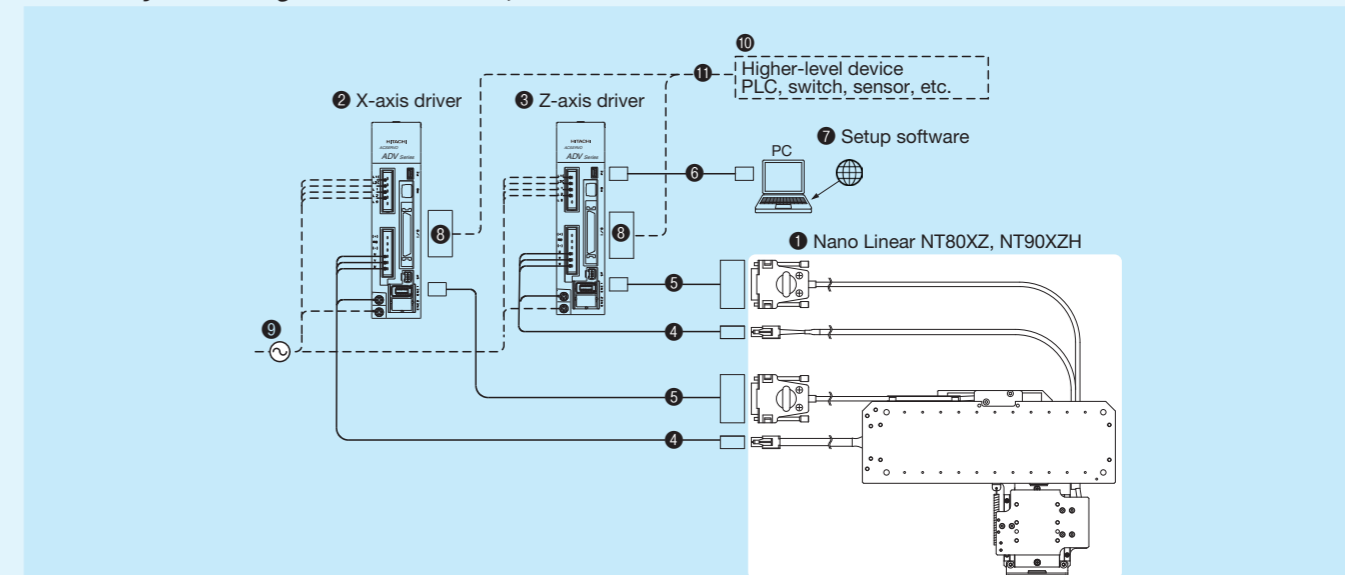


No.	Name	Identification number
3	Motor extension cord	TAE20V3-AM03 (3m) <sup>(1)</sup>
4	Encoder extension cord	TAE20W5-EC02 (2m) <sup>(1)</sup>
5	PC connection cable	USB mini B cable This must be prepared by the customer.
6	Setup software	ProDriveNext Please download from the official website of Hitachi Industrial Equipment Systems Co., Ltd.
7	Connector set	TAE20W7-CN <sup>(2)</sup>
8	Ethernet cable	This must be prepared by the customer.
9	Power cord	
10	Higher-level device	
11	I/O connector connection cable	

Notes <sup>(1)</sup> For specific cord length, please contact IKO.

<sup>(2)</sup> The connector set TAE20W7-CN is a set of I/O connector and connector for sensor (crimp wired (200mm)).  
The I/O connector is a combined product of 10120-3000PE (connector) and 10320-52F0-008 (cover) from 3M Japan Limited.  
The connector for sensor is a combined product of 170365-1 (contact) and 172157-1 (housing) from Tyco Electronics Japan G.K..

Table 17 System configuration for NT80XZ, NT90XZH



No.	Name	数量	Model and size	
1	Nano Linear NT80XZ, NT90XZH	1	NT80XZ4510	NT90XZH2510
2	Driver for X-axis	1	ADVA-01NL/NT80XZ-X (200 V specs) ADVA-R5ML/NT80XZ-X (100 V specs)	ADVA-01NL/NT90XZH (200 V specs) ADVA-R5ML/NT90XZH (100 V specs)
3	Driver for Z-axis	1	ADVA-01NL/NT80XZ-Z (200 V specs) ADVA-R5ML/NT80XZ-Z (100 V specs)	ADVA-01NL/NT90XZH (200 V specs) ADVA-R5ML/NT90XZH (100 V specs)
4	Motor extension cord (3m) <sup>(1)</sup>	2	TAE20V3-AM03	
5	Encoder extension cord (2m) <sup>(1)</sup>	2	TAE20V4-EC02	
6	PC connection cable	1	USB mini B cable (This must be prepared by customer.)	
7	Setup software	1	ProDriveNext Please download from the official website of Hitachi Industrial Equipment Systems Co., Ltd.	
8	I/O connector	2	TAE20R5-CN <sup>(2)</sup>	
9	Power cord	-	This must be prepared by customer.	
10	Higher-level device	-		
11	I/O connector connection cable	-		

Notes <sup>(1)</sup> For specific cord length, please contact IKO.

<sup>(2)</sup> I/O connector TAE20R5-CN is a combined product of 10150-3000PE (connector) and 10350-52F0-008 (cover) from 3M Japan Limited.

### ● Setup software, data editing software

To operate Nano Linear NT, initial setting of driver parameters is required. Parameter setting for driver is performed using the setup software or data editing software.

In the driver, the setup software (or data editing software) and PC connection cable are not provided. These can be shared in plural drivers but at least 1 set is required. Please prepare these on your own or place an order separately according to your requirement.

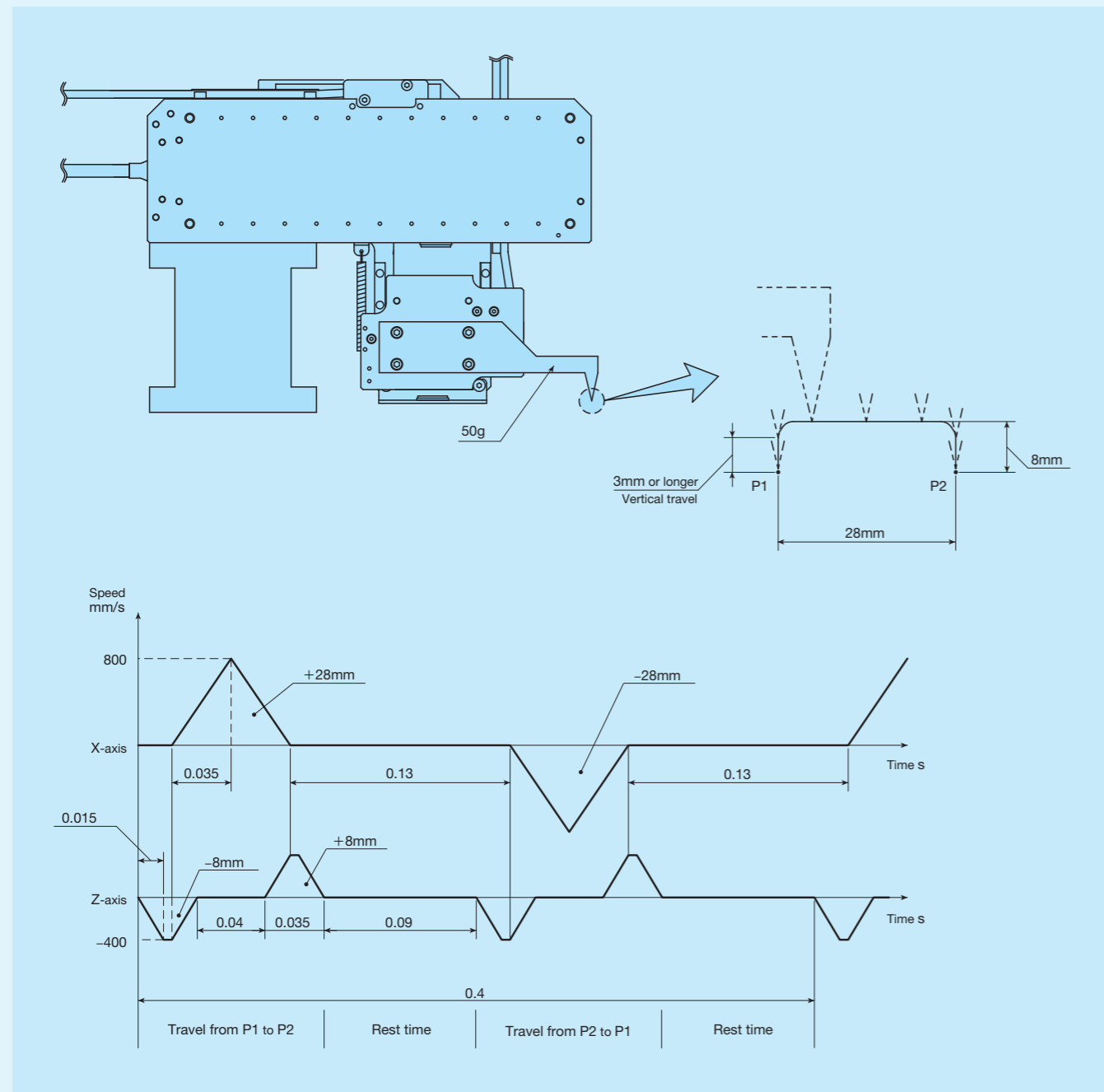
# Example Operation Pattern

## Example operation pattern of NT···XZ pick and place

Described below is a representative example of operation pattern of pick and place.

Table 16 Operational conditions

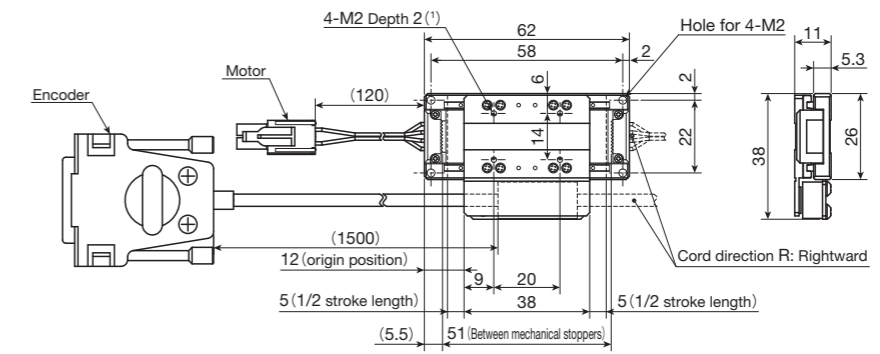
Item	Operational conditions
Carrying mass	g 50
X-axis travel distance	mm 28
Z-axis travel distance	mm 8
Rest time in P1 and P2	s 0.09
1 cycle time	s 0.4
X-axis effective thrust force	N 8.9
Z-axis effective thrust force	N 2.5



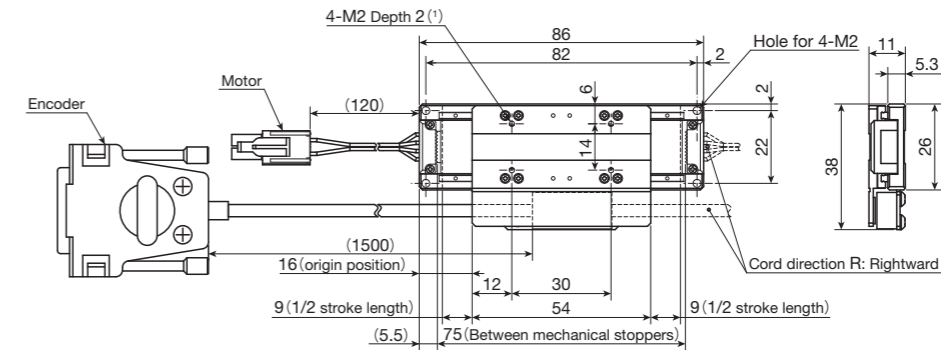
Remark: The speed pattern diagram shows a program pattern, not actual motions.

# IKO Nano Linear NT

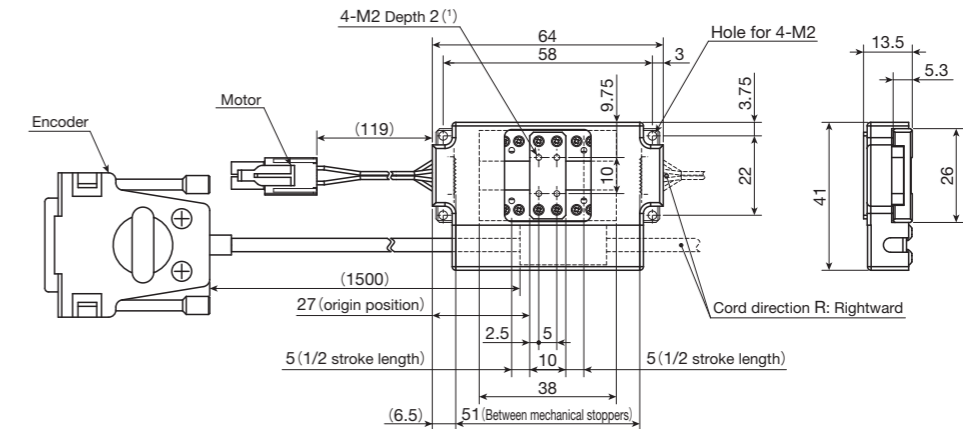
## NT38V10



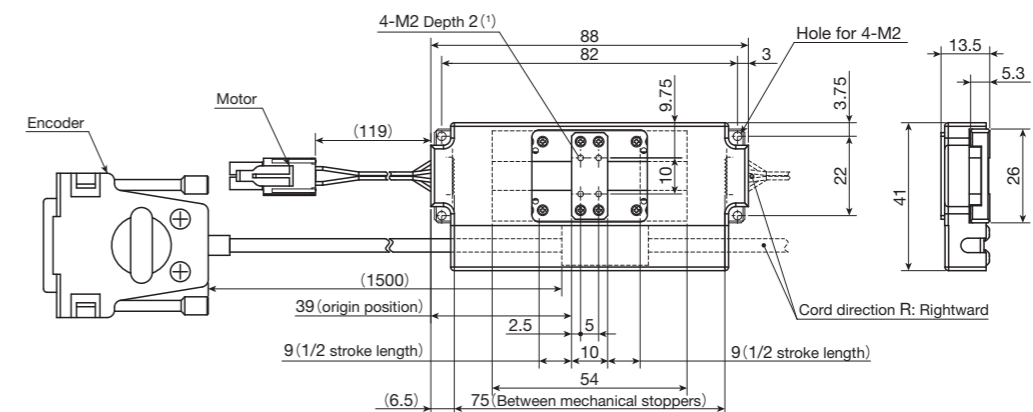
## NT38V18



## NT38V10/D

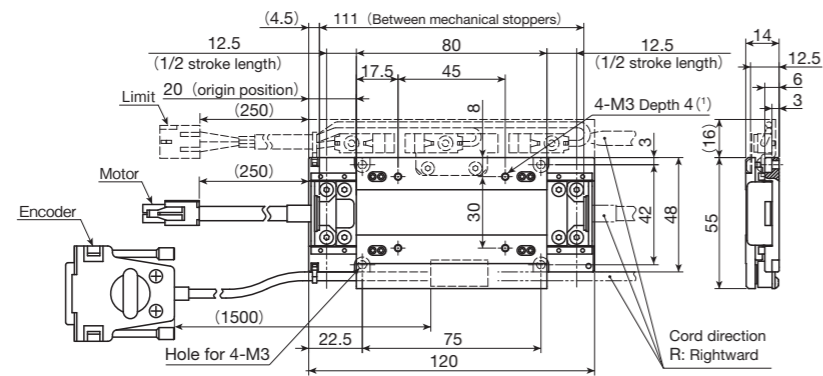


## NT38V18/D

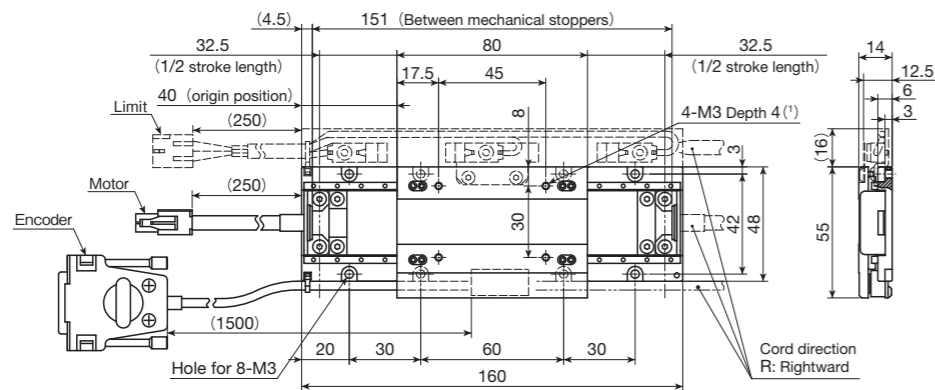


Note (1) Too deep insertion depth of the mounting bolt may affect the running performance of the moving table, so never insert a bolt longer than the depth of the through hole.

## NT55V25



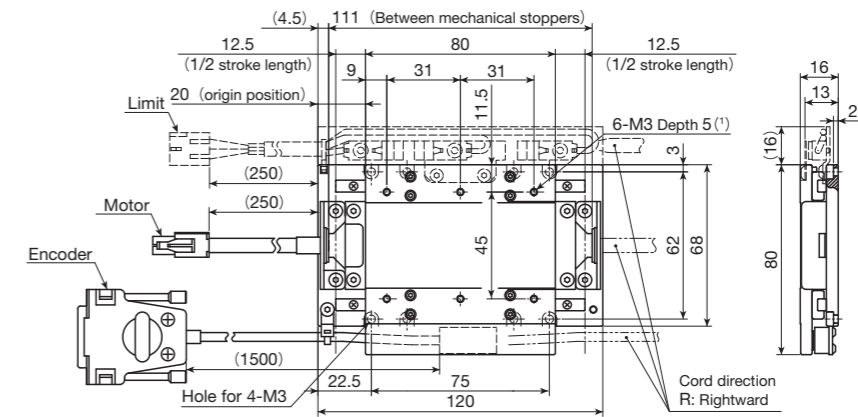
## NT55V65



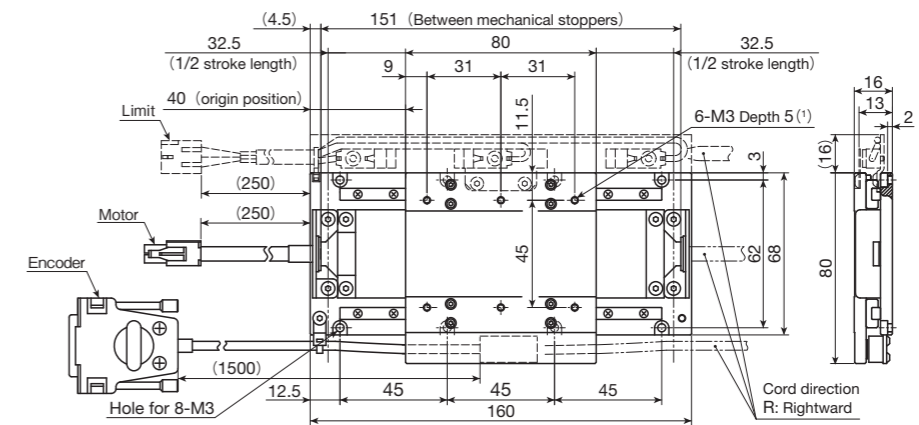
Note (1) Too deep insertion depth of the mounting bolt may affect the running performance of the moving table, so never insert a bolt longer than the depth of the through hole.

Remark: Dashed line portions in the dimensional figures indicate the sensor-included specification / SC.

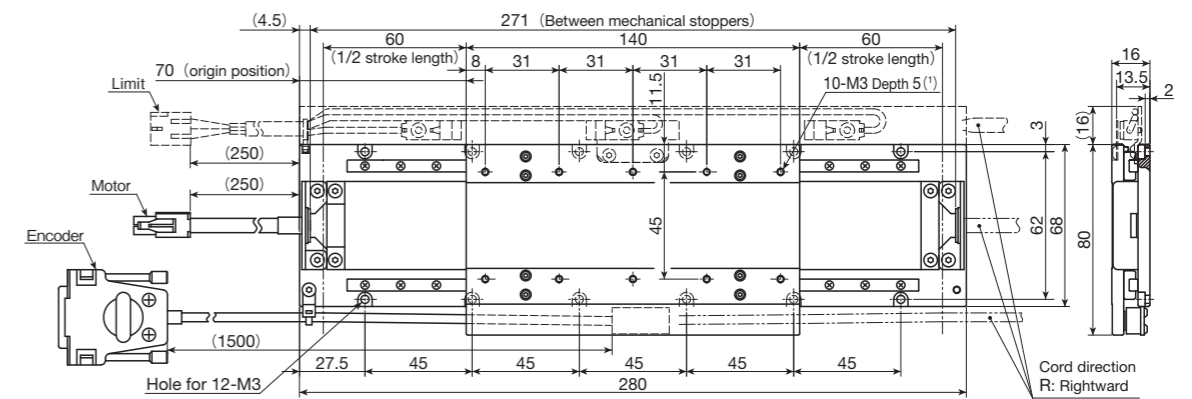
## NT80V25



## NT80V65



## NT80V120

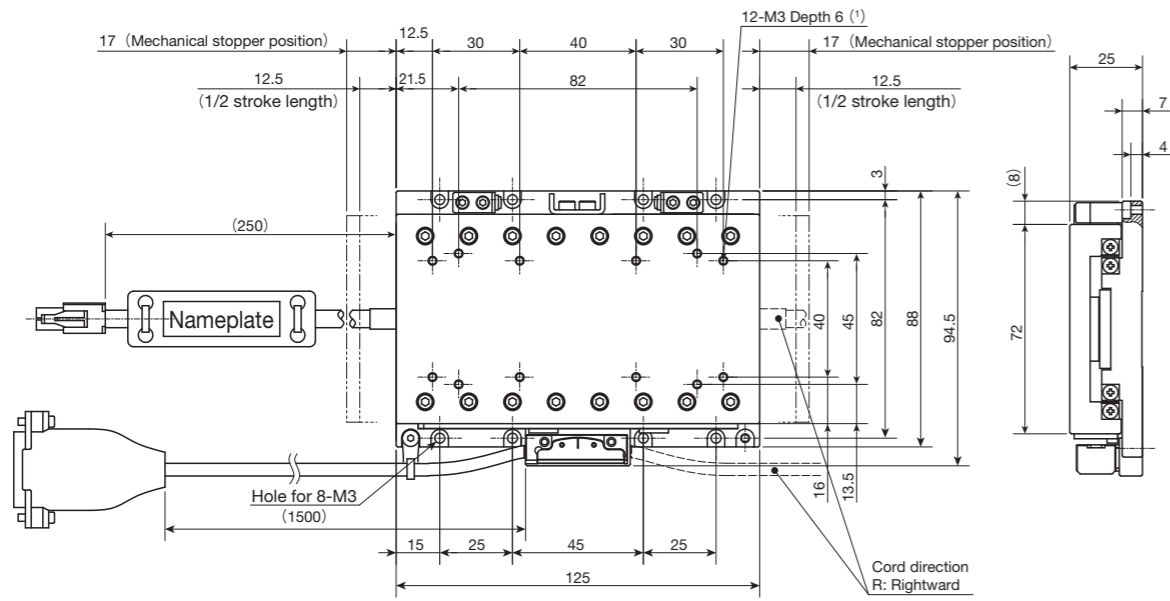


Note (1) Too deep insertion depth of the mounting bolt may affect the running performance of the moving table, so never insert a bolt longer than the depth of the through hole.

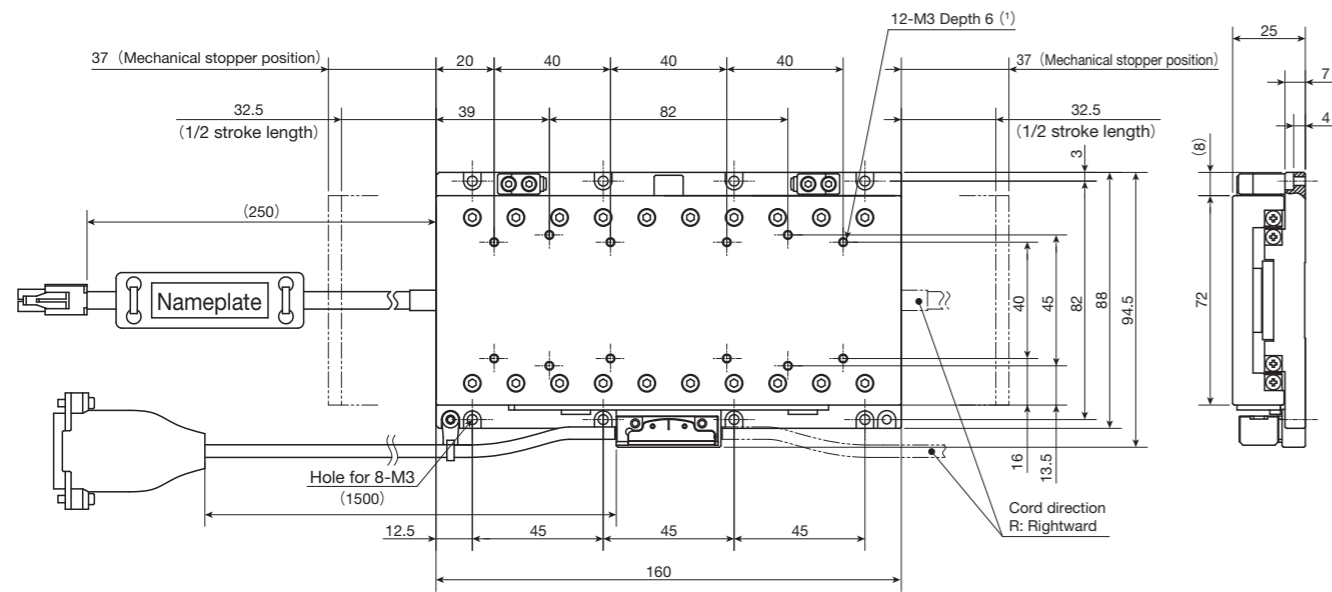
Remarks 1. Dashed line portions in the dimensional figures indicate the sensor-included specification / SC.

2. XY two-axis specification table combined with NT80V with NT80V25 used as an upper axis is assembled in IKO before shipping.

## NT88H25

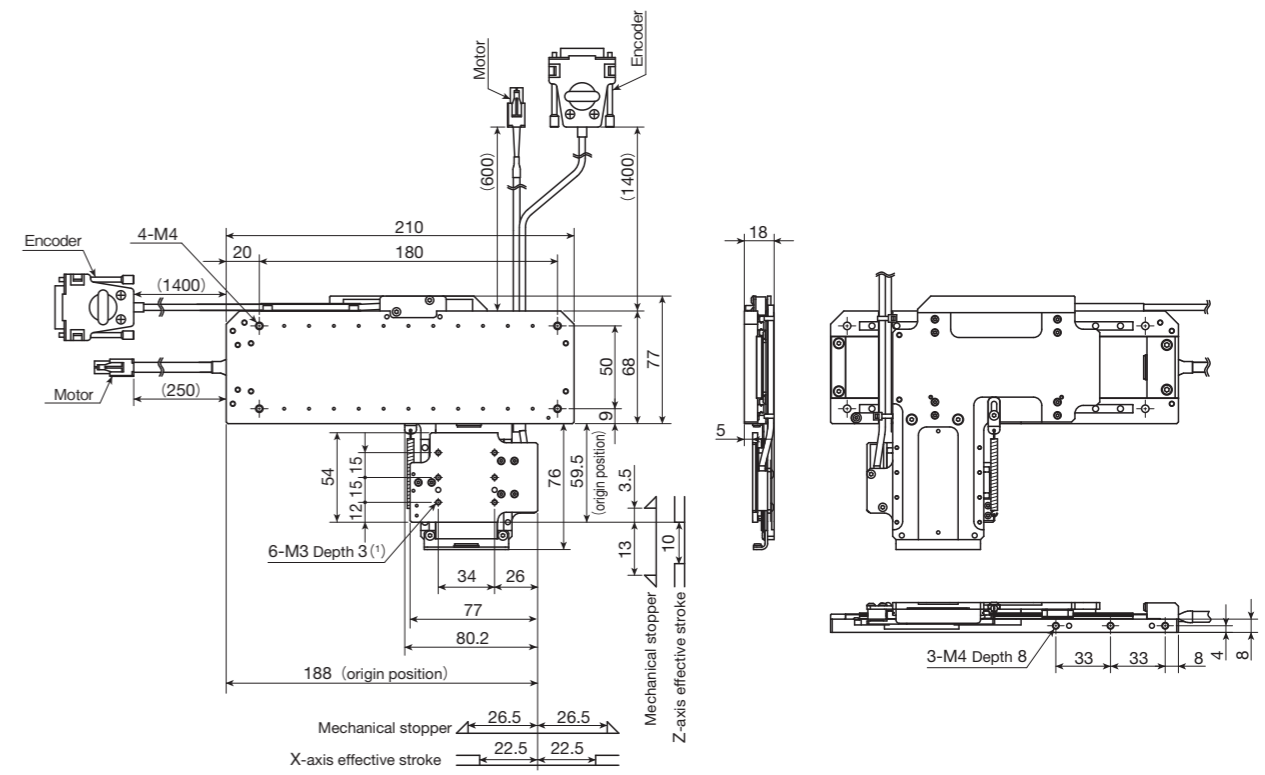


## NT88H65

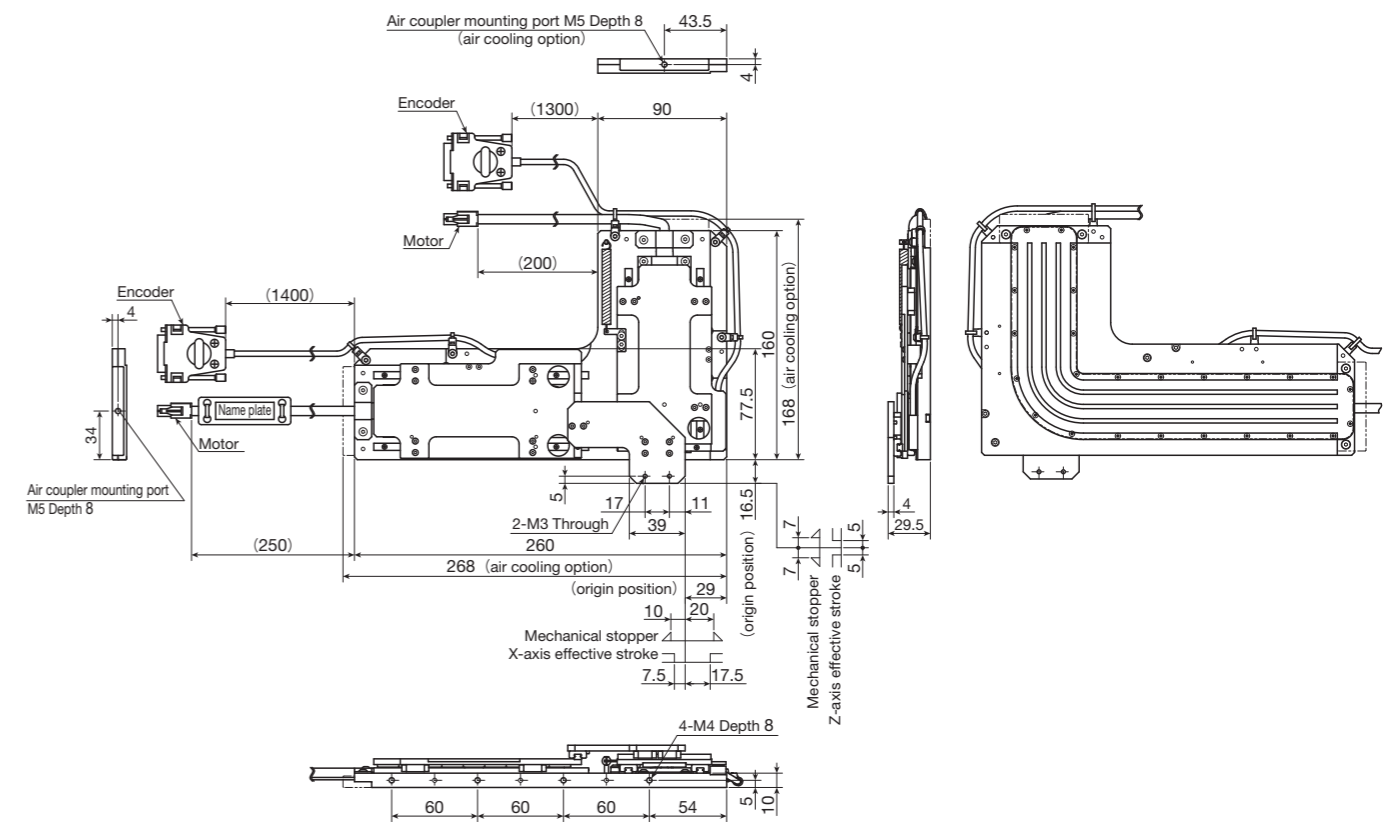


Note (1) Too deep insertion depth of the mounting bolt may affect the running performance of the moving table, so never insert a bolt longer than the depth of the tapped hole.

## NT80XZ



## NT90XZH



Note (1) Too deep insertion depth of the mounting bolt may affect the running performance of the moving table, so never insert a bolt longer than the depth of the through hole.